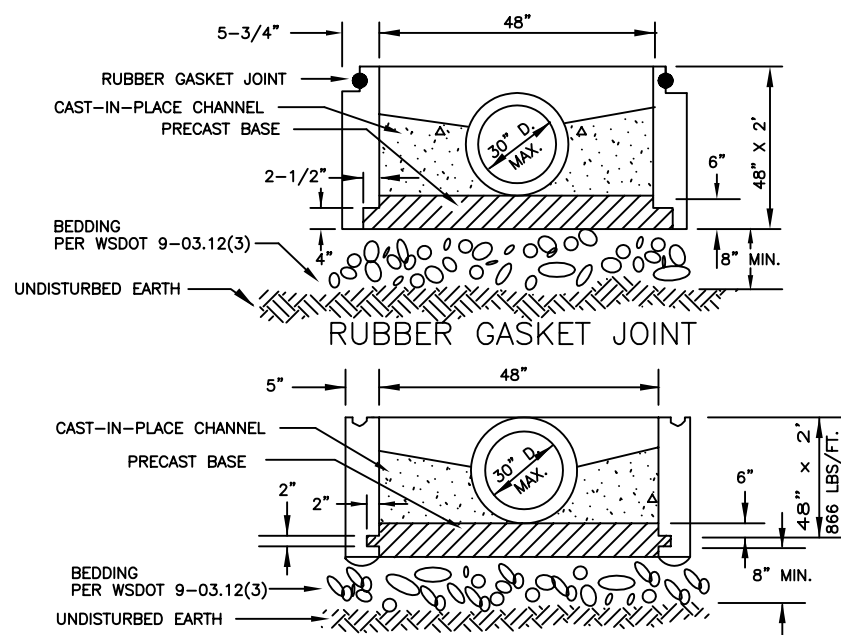


SECTION A-A CAST IN PLACE BASE



KEY-LOCK JOINT
PRECAST MANHOLE BASE (ALTERNATE)

1. ALL PRECAST MANHOLE RINGS AND CONES SHALL CONFORM TO ASTM C-478 WITH CAST IN STEPS. SEE DRAWING SS-11 FOR DETAILS ON MANHOLE STEPS.
2. IN OVER EXCAVATED AREA PROVIDE SUPPORT FOR THE PIPE AS FOLLOWS: PLACE 3/4" MINUS CRUSHED ROCK OVER UNDISTURBED GROUND IN 6" LAYERS AND COMPACT USING HAND TAMPER.
3. BASE CONCRETE SHALL BE 3000 P.S.I., 2-4 IN. SLUMP. FLOW LINES AND INSIDE SURFACES SHALL BE TROWLED SMOOTH & UNIFORM AT TIME OF POUR. MANHOLE BASE MAY BE MONOLITHICALLY CAST TO 8" ABOVE BARREL OF MAIN SEWER.
4. CHANNELS SHALL CONFORM ACCURATELY TO SEWER GRADE. INSTALL BENCHES TO ELEVATION OF SPRINGLINE OF PIPE.
5. CAST-IN-PLACE, MONOLITHIC MANHOLE MAY BE SUBSTITUTED WITH SPECIFIC APPROVAL OF THE ENGINEER. (SEE SS-9)
6. JOINTS SHALL BE CONSTRUCTED SO AS TO BE WATERTIGHT. KENT-SEAL NO. 2 OR APPROVED EQUAL SHALL BE USED ON TONGUE & GROOVE SECTIONS, AND ON RISER RINGS PREMOLDED "O-RING" MAY BE SUBSTITUTED ON BELL & SPIGOT SECTIONS. ALL JOINTS SHALL BE GROUTED WITH PORTLAND CEMENT CONCRETE GROUT & STRUCK EVEN WITH THE WALL.
7. MANHOLES UNDER 6"-0" IN DEPTH FROM RIM TO SHELF SHALL HAVE A TOP SLAB IN LIEU OF CONE. (SEE SS-8)
8. ALL SEWER MANHOLES TO BE CAPSULATED WITH A HEAT SHRINKABLE SLEEVE SYSTEM, RAPID SEAL OR APPROVED EQUAL.
9. RAINGUARD REQUIRED.
10. VACUUM TESTING OF MANHOLES WILL BE REQUIRED.
11. LOCKING COVERS ARE REQUIRED IN EASEMENTS, OR AT THE DIRECTION OF THE PUBLIC WORKS DIRECTOR.
12. SAMPLING MANHOLES WILL BE CONSTRUCTED TO THESE SPECIFICATIONS.

STANDARD PRECAST MANHOLE

PLAN #



CITY OF LA CENTER APPROVED

| REVISIONS: | DATE: | DRAWN: | DESIGNED: |
|------------|-------|--------|-----------|
| | | | |
| | | | |
| | | | |
| | | | |

Bart Stapp, PE 7/23/09

CITY ENGINEER DATE

SS-7