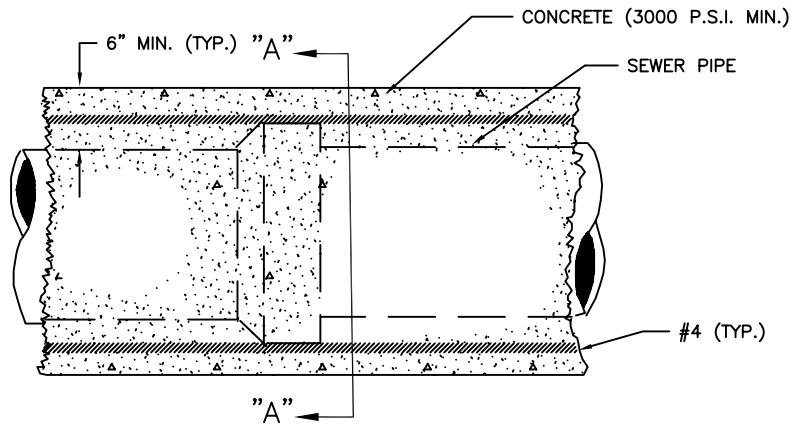
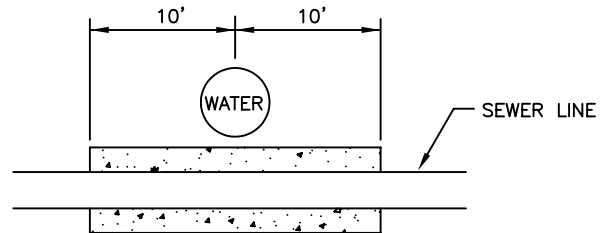
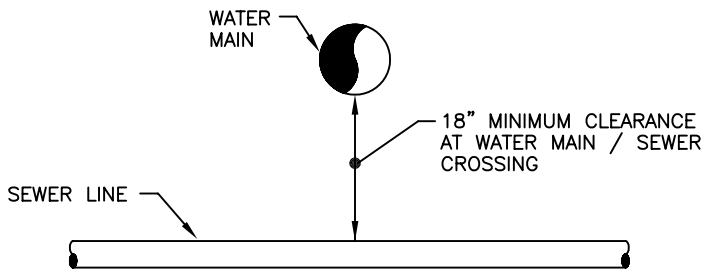


VIEW "A-A"



CONCRETE ENCASED SEWER LINE PLAN



CASING- DUCTILE IRON OR C-900 P.V.C. 20' LENGTH BOTH ENDS PLUGGED. OR 6" CONC.

**NOTES:**

1. WITH 18" MINIMUM CLEARANCE, USE FULL LENGTHS OF PIPE WITH CROSSING AT MIDPOINT OF BOTH WATER AND SEWER LINE.
2. SEWER LINE AT CROSSING WILL BE EITHER DUCTILE IRON OR C-900 PVC.
3. WHERE THERE ISN'T 18" OF CLEARANCE BETWEEN WATERLINE AND SEWER LINE, CONCRETE IS TO EXTEND 10' ON BOTH SIDES OF WATER CROSSING.

**TYPICAL WATER MAIN/SANITARY CROSSING**

PLAN #



CITY OF LA CENTER APPROVED

REVISIONS: DATE: DRAWN: DESIGNED:

*Barb Stapp, PE 7/23/09*

SS-6

CITY ENGINEER

DATE