

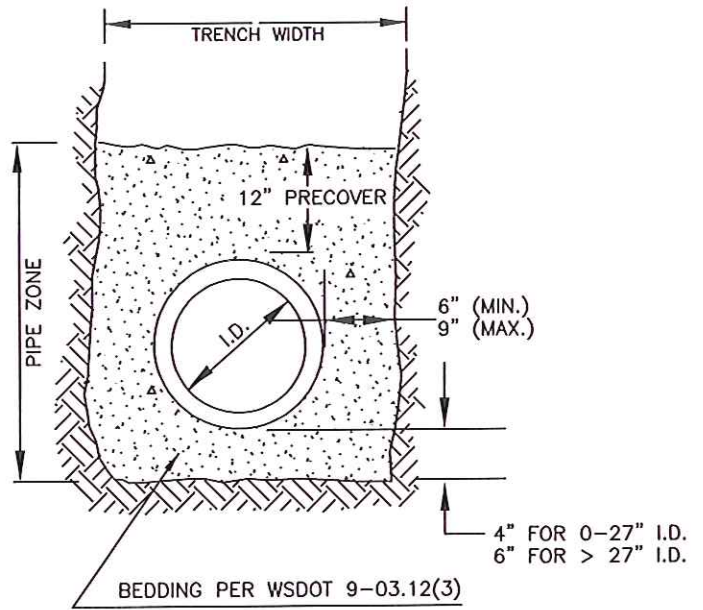
GRANULAR FOUNDATION

**LEDGEND:**

OD = OUTSIDE DIAMETER  
 ID = INSIDE DIAMETER  
 d = DEPTH OF BEDDING MATERIAL BELOW PIPE

DEPTH OF BEDDING MATERIAL BELOW PIPE	
ID	d (min)
18" & SMALLER	6"
LARGER THAN 18"	8"

RIGID PIPE



FLEXIBLE PIPE

**NOTES:**

1. WHERE DIRECTED BY THE PUBLIC WORKS DIRECTOR, CRUSHED ROCK PER WSDOT 9-03.12(3) STABILIZATION SHALL BE PLACED PRIOR TO PLACEMENT OF THE BEDDING. SIZE AND DEPTH ARE DEPENDENT ON SOIL CONDITIONS.
2. BEDDING AND BACKFILL MATERIALS IN THE PIPE ZONE SHALL BE COMPACTED AS SPECIFIED PRIOR TO BACKFILLING THE REMAINDER OF THE TRENCH.
3. FOR ROCK AND OTHER INCOMPRESSIBLE MATERIALS, THE TRENCH SHALL BE OVER EXCAVATED A MINIMUM OF 6" AND REFILLED WITH GRANULAR MATERIALS AS DIRECTED BY THE CITY ENGINEER.
4. TRENCH WIDTH SHALL NOT EXCEED ONE AND ONE-HALF THE INSIDE DIAMETER OF THE PIPE PLUS 18" AT THE TOP OF THE PIPE ZONE.

**PIPE BEDDING (RIGID AND FLEXIBLE PIPE)**

PLAN #



CITY OF LA CENTER APPROVED

*Andy Scobey* 12/16/18  
 CITY ENGINEER DATE

REVISIONS:	DATE:	DRAWN:	DESIGNED:
1	11/16/18		ALC

SS-5