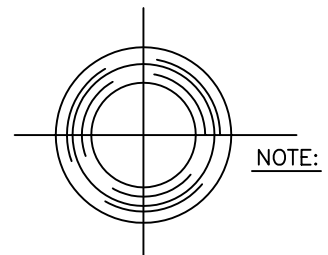
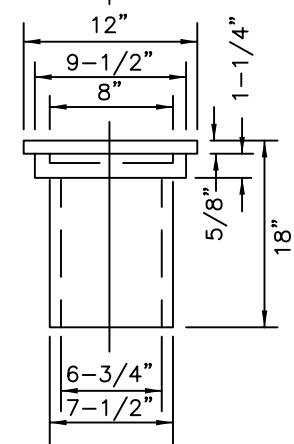


COVER



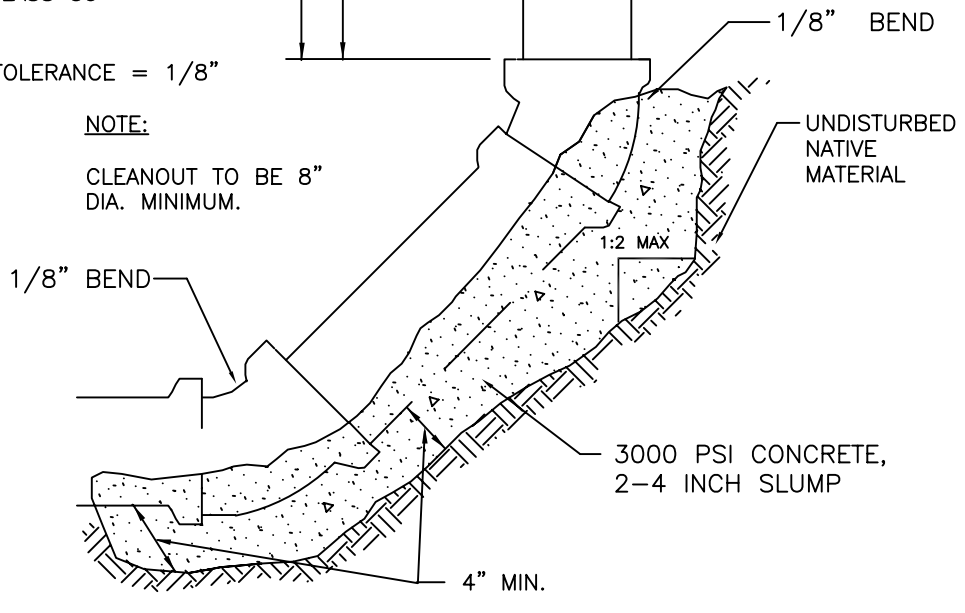
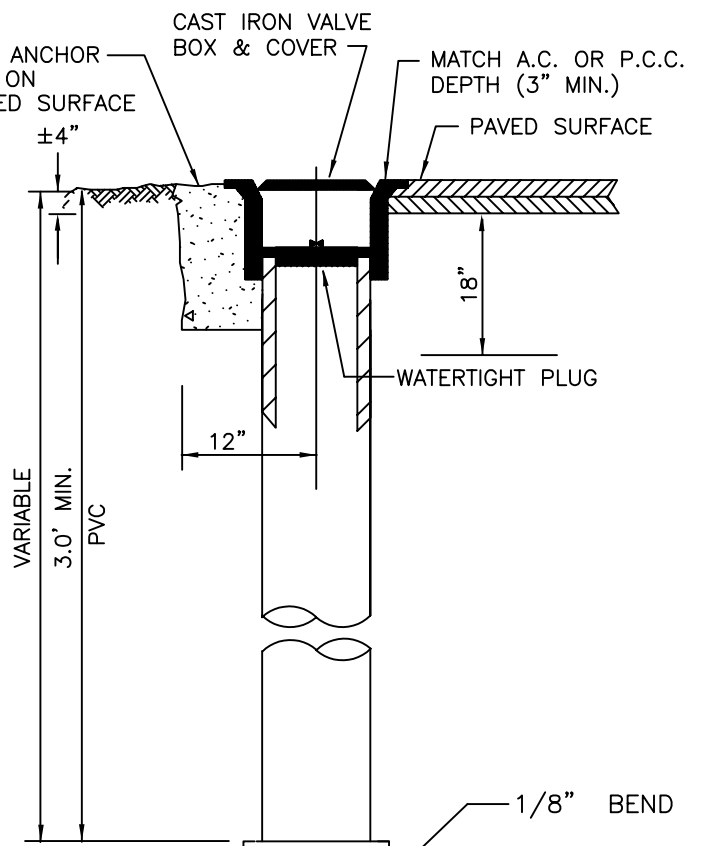
NOTE: TOLERANCE = 1/8"



CAST IRON VALVE BOX AND COVER NO. 910

MATERIAL TO BE GREY CAST IRON CONFORMING TO ASTM A-46 CLASS 30

NOTE: CLEANOUT TO BE 8" DIA. MINIMUM.



SEWER CLEANOUT

STANDARD SEWER CLEANOUT

PLAN #



CITY OF LA CENTER APPROVED

REVISIONS:	DATE:	DRAWN:	DESIGNED:

Bart Stapp, PE 7/23/09

SS-14

CITY ENGINEER

DATE