

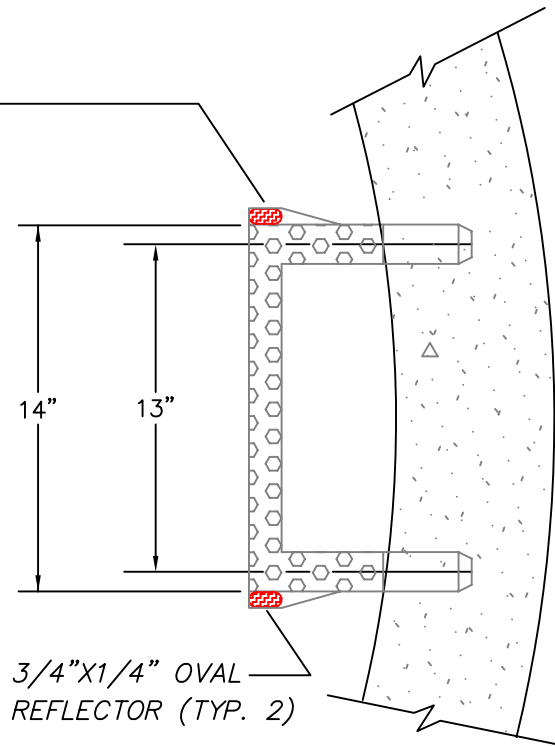
POLYPROPYLENE MANHOLE SAFETY STEP WITH REFLECTORS.

NOTES:

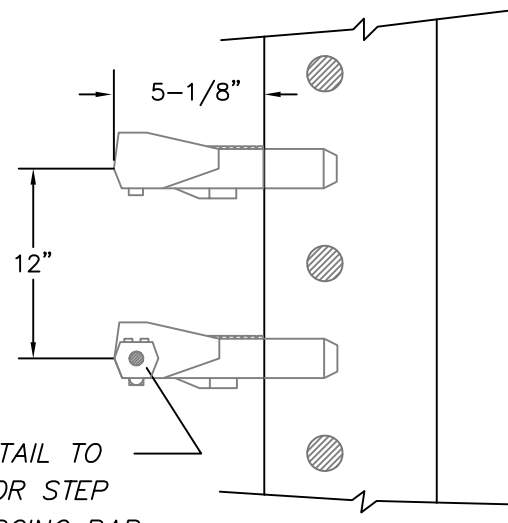
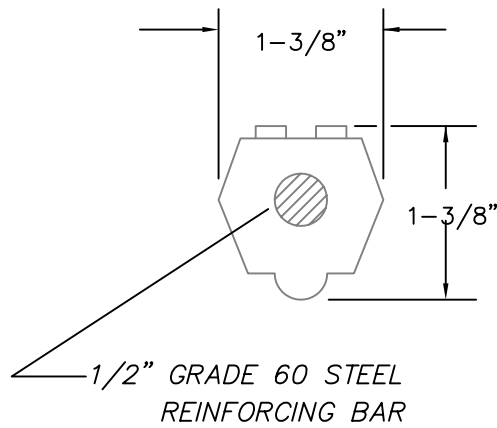
All steps must meet ASTM C-478 and AASHTO M-199 Specifications, polypropylene ASTM D-4104, the 1/2" Grade 60 deformed reinforcing bar ASTM-A--615.

Installation method must resist 1,500 lb. horizontal pull out force and 500 lb. vertical load.

Locate steps over bench whenever possible (not over the main).



PLAN



SEE DETAIL TO LEFT FOR STEP REINFORCING BAR

ELEVATION

MANHOLE STEP DETAIL

PLAN #



CITY OF LA CENTER APPROVED

REVISIONS:	DATE:	DRAWN:	DESIGNED:

SS-11

Barb Stapp, PE 7/23/09

CITY ENGINEER

DATE