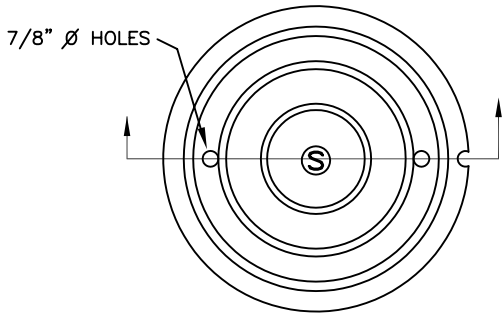
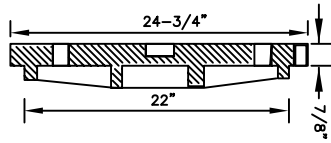


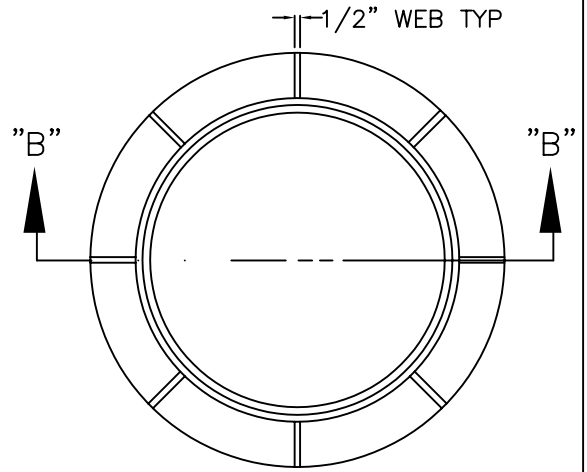
STANDARD COVER



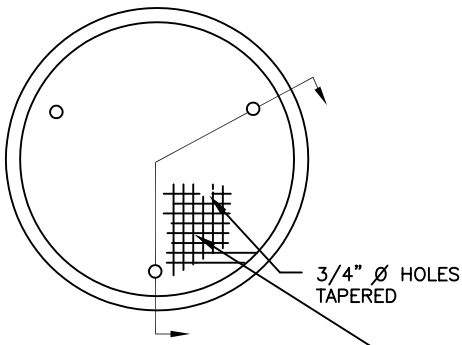
2 HOLE SANITARY SEWER COVER
 MANUFACTURED BY: OLYMPIC
 FOUNDRY, SEATTLE OR INLAND
 FOUNDRY, SPOKANE



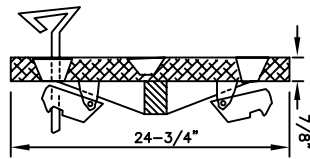
STANDARD COVER SECTION



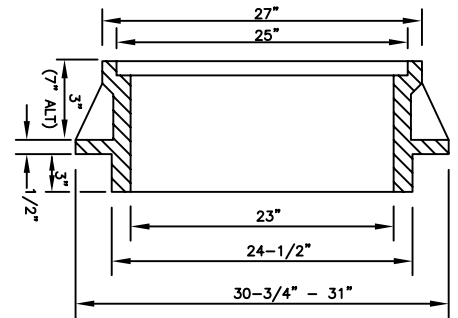
LOCKING COVER



ALL GROOVES 1/8" WIDE X 1/8" DEEP AND 3/4" O.C. INSIDE
 21-3/4" O 1/8" GROOVE



LOCKING COVER SECTION

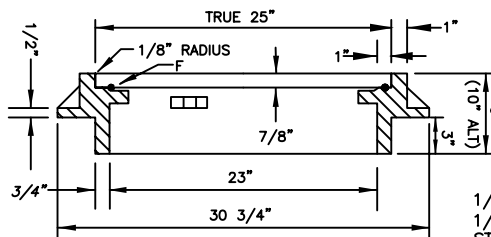
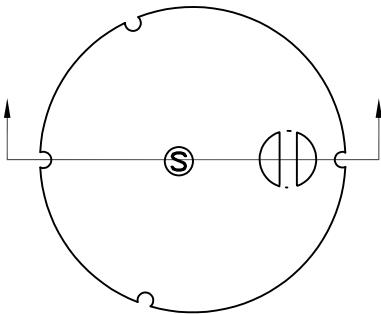


STANDARD & LOCKING FRAME SECTION

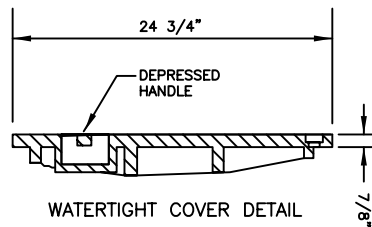
NOTES:

- COVER & FRAME TO BE MACHINED TO A TRUE BEARING ALL AROUND.
- MATERIAL SHALL BE OF GREY CAST IRON, A.S.T.M. A-48, CLASS 30.
- LOCKING LIDS SHALL BE USED ON ALL SANITARY MANHOLES INSTALLED WITHIN EASEMENTS, OR OUTSIDE THE CITY RIGHT-OF-WAY.
- RAINGUARD INFLOW PROTECTORS, LFM INC. OR BETTER, ARE REQUIRED ON ALL NEW MANHOLES.

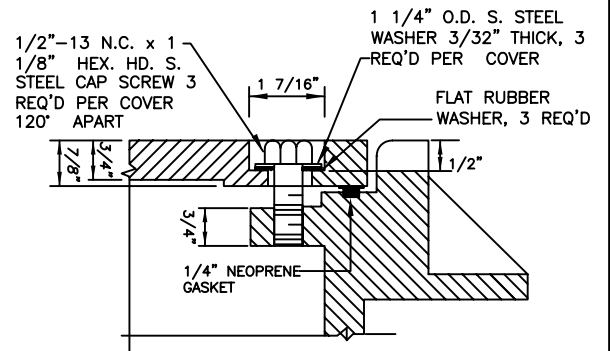
WATERTIGHT COVER



WATERTIGHT FRAME



WATERTIGHT COVER DETAIL



WATERTIGHT COVER DETAIL

STANDARD MANHOLE FRAMES & COVERS

PLAN #

CITY OF LA CENTER APPROVED

REVISIONS: DATE: DRAWN: DESIGNED:



Bart Stapp, PE 7/23/09

SS-10

CITY ENGINEER

DATE