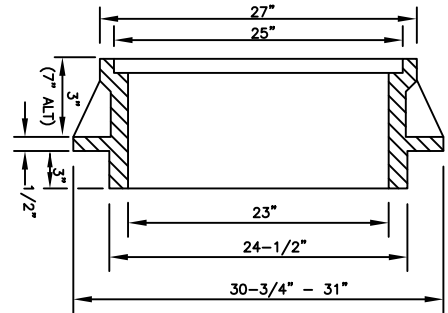
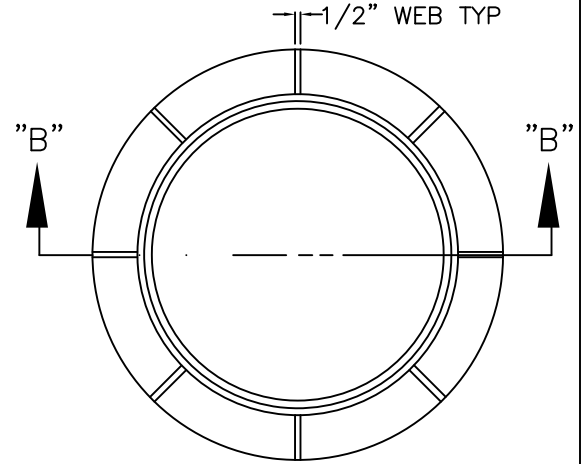
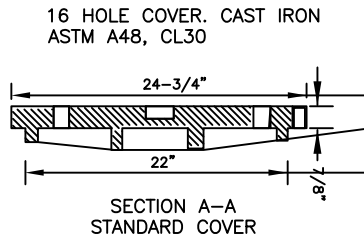
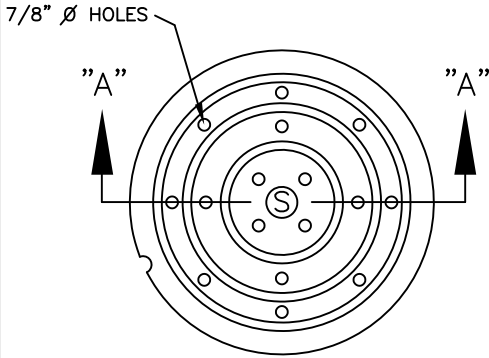
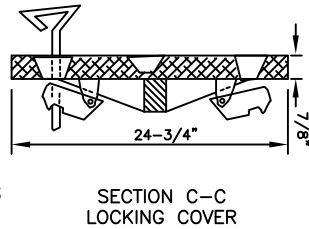
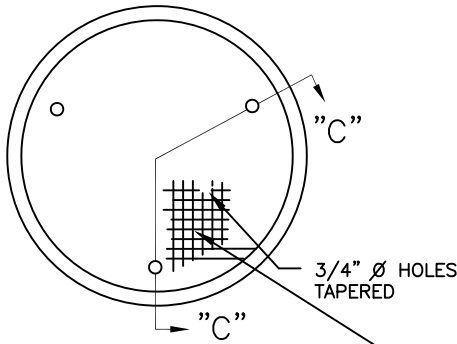


**STANDARD AND LOCKING FRAME**

**STANDARD COVER**



**LOCKING COVER**



ALL GROOVES 1/8" WIDE X 1/8" DEEP AND 3/4" O.C. INSIDE  
21-3/4" O 1/8" GROOVE

SECTION B-B  
STANDARD & LOCKING FRAME

**NOTES:**

1. COVER & FRAME TO BE MACHINED TO A TRUE BEARING ALL AROUND.
2. MATERIAL SHALL BE OF GREY CAST IRON, A.S.T.M. A-48, CLASS 30.
3. LOCKING LIDS SHALL BE USED ON ALL MANHOLES INSTALLED WITHIN EASEMENTS, OUTSIDE A PAVED SURFACE, OR OUTSIDE THE CITY RIGHT-OF-WAY.

**STANDARD MANHOLE FRAMES & COVERS**

PLAN #



CITY OF LA CENTER APPROVED

*Anthony Seeloooper*

11-28-17

CITY ENGINEER

DATE

REVISIONS:	DATE:	DRAWN:	DESIGNED:
1	11-28-17	ALC	

**SM-3**