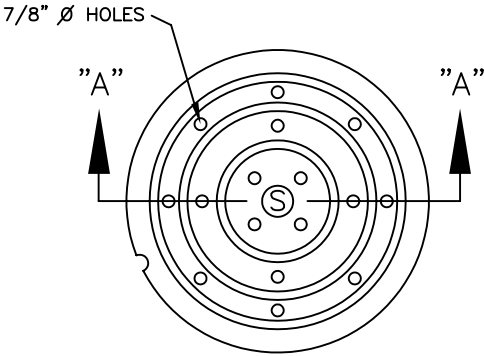
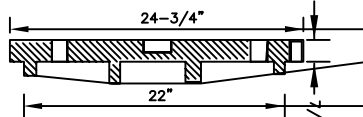


STANDARD AND LOCKING FRAME

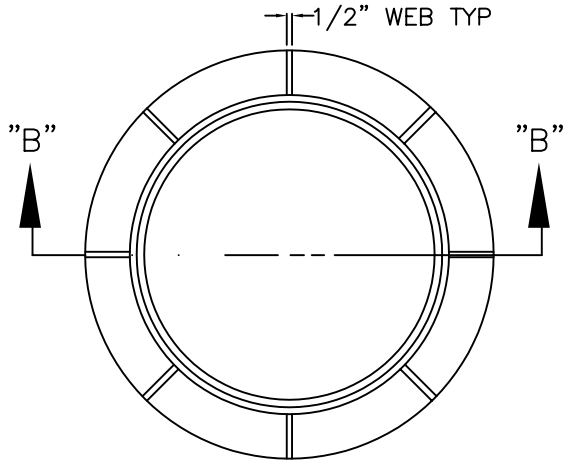
STANDARD COVER



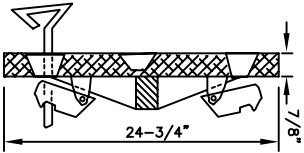
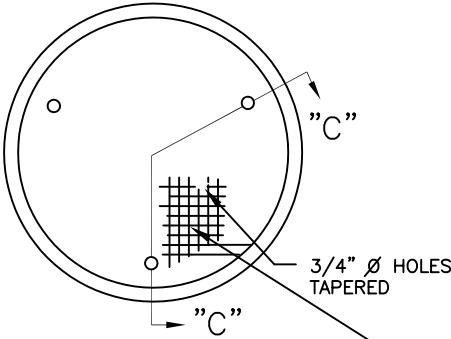
16 HOLE COVER MANUFACTURED BY: OLYMPIC FOUNDRY, SEATTLE OR INLAND FOUNDRY, SPOKANE.



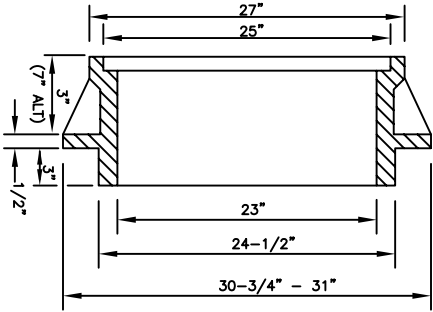
SECTION A-A
STANDARD COVER



LOCKING COVER



SECTION C-C
LOCKING COVER



SECTION B-B
STANDARD & LOCKING FRAME

ALL GROOVES 1/8" WIDE X 1/8" DEEP AND 3/4" O.C. INSIDE
21-3/4" O 1/8" GROOVE

NOTES:

1. COVER & FRAME TO BE MACHINED TO A TRUE BEARING ALL AROUND.
2. MATERIAL SHALL BE OF GREY CAST IRON, A.S.T.M. A-48, CLASS 30.
3. LOCKING LIDS SHALL BE USED ON ALL MANHOLES INSTALLED WITHIN EASEMENTS, OUTSIDE A PAVED SURFACE, OR OUTSIDE THE CITY RIGHT-OF-WAY.

STANDARD MANHOLE FRAMES & COVERS

PLAN #



CITY OF LA CENTER APPROVED

| REVISIONS: | DATE: | DRAWN: | DESIGNED: |
|------------|-------|--------|-----------|
| | | | |
| | | | |
| | | | |
| | | | |

Barb Stupp, PE 7/23/09

SM-3

CITY ENGINEER

DATE