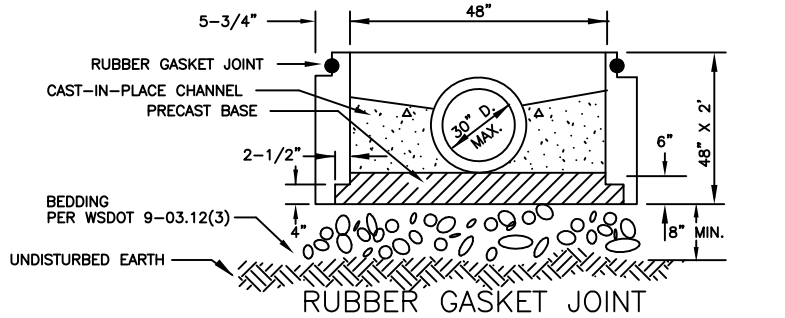
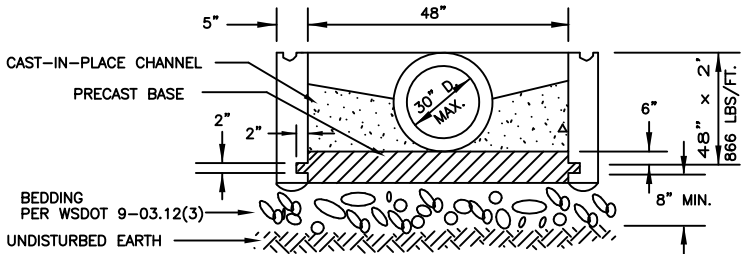


SECTION A-A CAST IN PLACE BASE



RUBBER GASKET JOINT



**KEY-LOCK JOINT
PRECAST MANHOLE BASE (ALTERNATE)**

1. ALL PRECAST MANHOLE RINGS AND CONES SHALL CONFORM TO ASTM C-478 WITH CAST IN STEPS. (SEE SS-11)
2. IN OVER EXCAVATED AREA PROVIDE SUPPORT FOR THE PIPE AS FOLLOWS: PLACE 3/4" MINUS CRUSHED ROCK OVER UNDISTURBED GROUND IN 6" LAYERS AND COMPACT USING HAND TAMPER.
3. BASE CONCRETE SHALL BE 3000 P.S.I., 2-4 IN. SLUMP. FLOW LINES AND INSIDE SURFACES SHALL BE TROWLED SMOOTH & UNIFORM AT TIME OF POUR. MANHOLE BASE MAY BE MONOLITHICALLY CAST TO 8" ABOVE BARREL OF MAIN SEWER.
4. CHANNELS SHALL CONFORM ACCURATELY TO SEWER GRADE. INSTALL BENCHES TO ELEVATION OF SPRINGLINE OF PIPE.
5. CAST-IN-PLACE, MONOLITHIC MANHOLE MAY BE SUBSTITUTED WITH SPECIFIC APPROVAL OF THE ENGINEER. (SEE SS-9)
6. JOINTS SHALL BE CONSTRUCTED SO AS TO BE WATERTIGHT. KENT-SEAL NO. 2, S.S.I FLEX-SEAL UTILITY SEALANT OR PRIMELINE NPC EXTERNAL JOINT SEALANT OR SHALL BE USED ON TONGUE & GROOVE SECTIONS, AND ON RISER RINGS PREMOULDED "O-RING" MAY BE SUBSTITUTED ON BELL & SPIGOT SECTIONS. ALL JOINTS SHALL BE GROUTED WITH PORTLAND CEMENT CONCRETE GROUT & STRUCK EVEN WITH THE WALL.
7. MANHOLES UNDER 6"-0" IN DEPTH FROM RIM TO SHELF SHALL HAVE A TOP SLAB IN LIEU OF CONE. (SEE SS-8)
8. VACUUM TESTING OF MANHOLES WILL BE REQUIRED.
9. LOCKING COVERS ARE REQUIRED IN EASEMENTS, OR AT THE DIRECTION OF THE PUBLIC WORKS DIRECTOR.

STANDARD STORM MANHOLE

PLAN #



CITY OF LA CENTER APPROVED

Anthony Seolopes

11-28-17

CITY ENGINEER

DATE

REVISIONS:	DATE:	DRAWN:	DESIGNED:
1	11-28-17	ALC	

SM-2