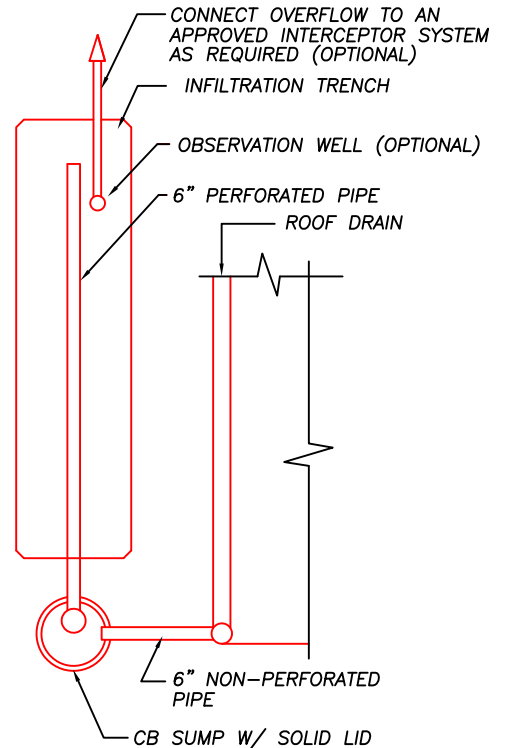


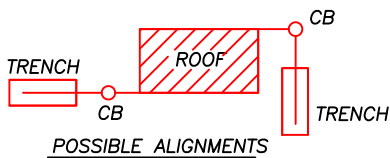
**NOTES:**

- ELEVATION TO BE MINIMUM 1' BELOW LOWEST FINISHED FLOOR.
- INDIVIDUAL LOT ROOF DRAIN INFILTRATION TRENCHES SHALL BE SIZED FOR AND INSTALLED ON LOTS WHICH HAVE WELL DRAINED SOILS, AS DETERMINED BY THE GEOTECHNICAL ENGINEER.

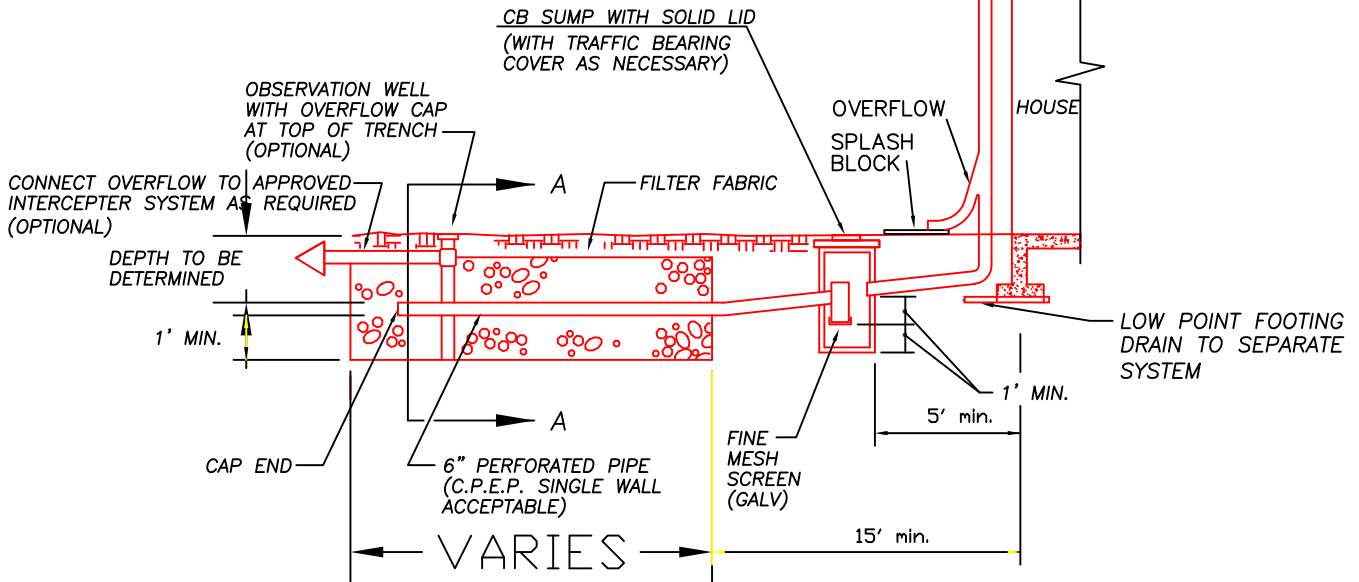
THIS OPTION IS ONLY ALLOWED IF A GEOTECHNICAL ENGINEER TESTS AND A REPORT JUSTIFIES THE USE AND SIZE



**SECTION A-A**



NOTE:  
LENGTH AND NUMBER OF  
REQUIRED TRENCHES TO  
BE DETERMINED BY  
GEOTECHNICAL ENGINEER



**RESIDENTIAL DOWNSPOUT  
INFILTRATION TRENCH**

PLAN #



CITY OF LA CENTER APPROVED

*Anthony Perlooper*

CITY ENGINEER

4-5-17

DATE

REVISIONS: DATE: DRAWN: DESIGNED:

1

4-5-17

SM-14