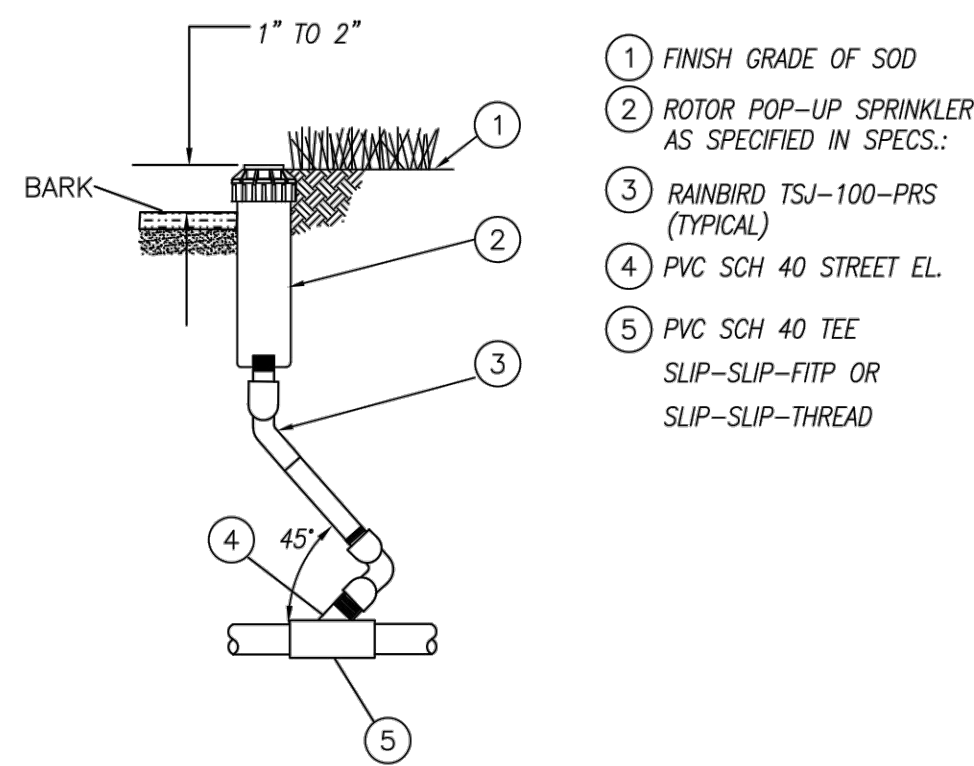


© SCA ENGINEERING PLLC - DATE PLOTTED: Apr. 01, 2021 - 1:37 PM SCA DRAWING FILE: W:\DWG\0536 - HIGHLAND TERRACE (6- REVISED FINAL ENGINEERING) (FINAL ENG 2019) (PKP CONCEPTUAL PARK PLAN).DWG

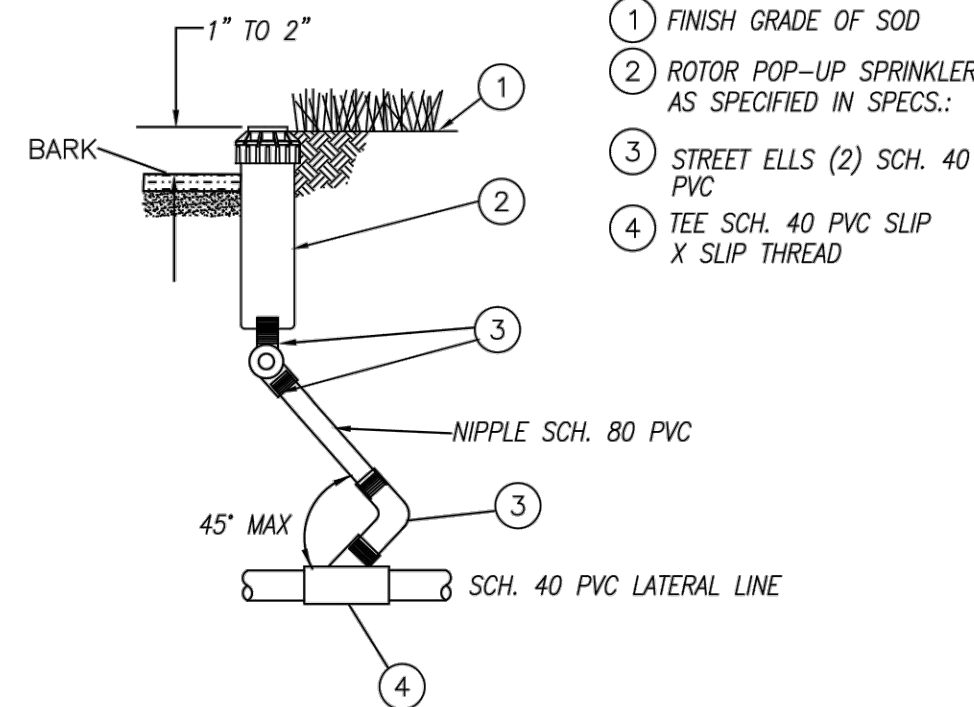


- 1 FINISH GRADE OF SOD
- 2 ROTOR POP-UP SPRINKLER AS SPECIFIED IN SPECS.:
- 3 RAINBIRD TSJ-100-PRS (TYPICAL)
- 4 PVC SCH 40 STREET EL.
- 5 PVC SCH 40 TEE SLIP-SLIP-FITP OR SLIP-SLIP-THREAD

ROTOR POP-UP SPRINKLER ASSEMBLY WITH PRE-MADE SWING FITTINGS

PLAN #

	CITY OF LA CENTER APPROVED	REVISIONS:	DATE:	DRAWN:	DESIGNED:
	CITY ENGINEER		4/3/19		
DATE					
IRR-1					

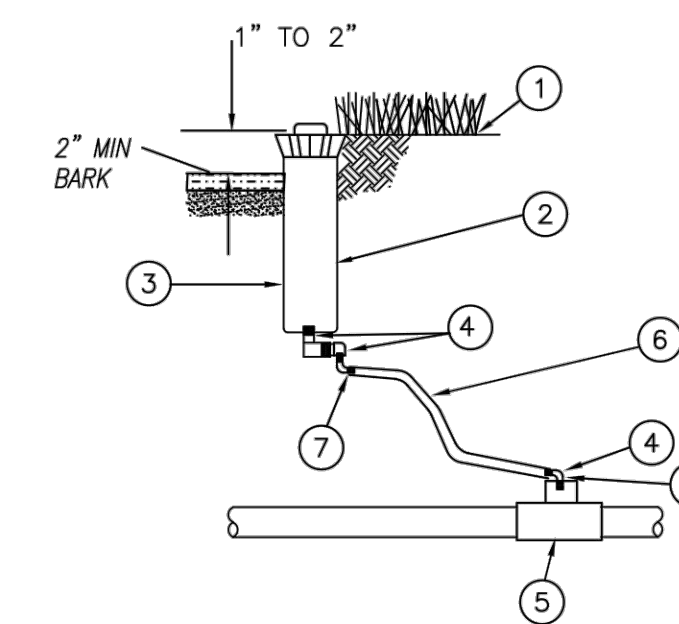


- 1 FINISH GRADE OF SOD
- 2 ROTOR POP-UP SPRINKLER AS SPECIFIED IN SPECS.:
- 3 STREET ELLS (2) SCH. 40 PVC
- 4 TEE SCH. 40 PVC SLIP X SLIP THREAD

ROTOR POP-UP SPRINKLER

PLAN #

	CITY OF LA CENTER APPROVED	REVISIONS:	DATE:	DRAWN:	DESIGNED:
	CITY ENGINEER		4/3/19		
DATE					
IRR-2					

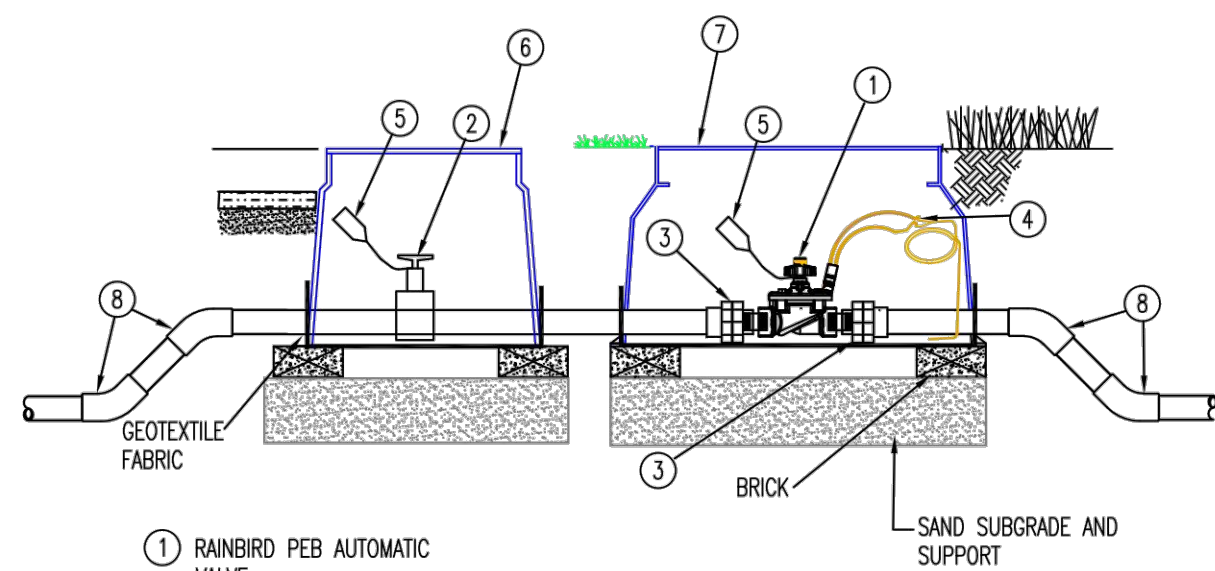


- 1 FINISH GRADE OF SOD
- 2 ROTOR POP-UP SPRINKLER: (IN SOD AREAS)
RAIN BIRD 1806
1806 SAM
1806 SAM-P45
1806 SAM-PRS
- 3 ROTOR POP-UP SPRINKLER: (IN BED AREAS)
RAIN BIRD
1812, 1812 SAM
1812 SAM-P45
1812 SAM-PRS
- 4 MARLEX STREET ELBOWS.
- 5 PVC SCH 40 TEE SLIP-SLIP-THREAD
- 6 FLEX PIPE-NO MORE THAN 5'
- 7 3/8" BARB X 1/2" MALE THREAD ELBOW (MARLEX)

POP-UP SPRINKLER

PLAN #

	CITY OF LA CENTER APPROVED	REVISIONS:	DATE:	DRAWN:	DESIGNED:
	CITY ENGINEER		4/3/19		
DATE					
IRR-3					

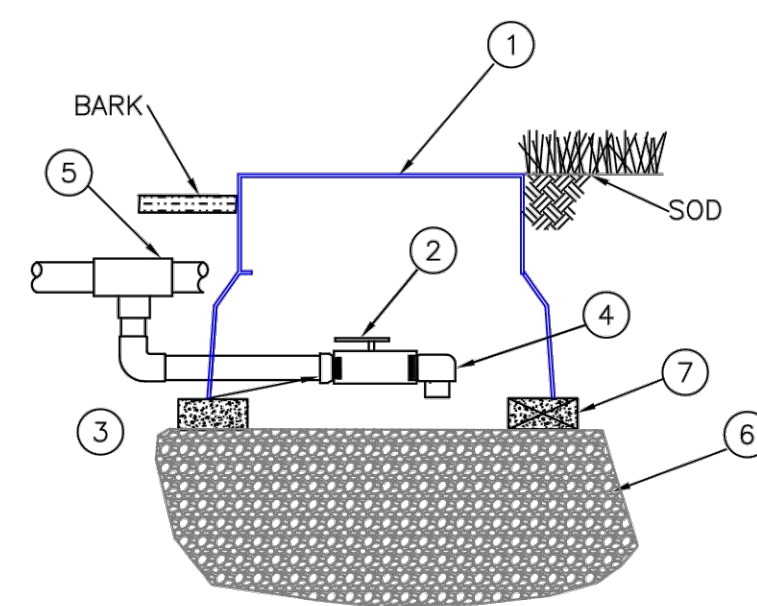


- 1 RAINBIRD PEB AUTOMATIC VALVE
- 2 PVC BALL VALVE FEMALE
- 3 PVC UNION SLIP X (M) THREAD
- 4 WATERPROOF CONNECTORS WITH EXPANSION LOOP
- 5 VALVE ID TAG
- 6 10-INCH ROUND VALVE BOX
- 7 STANDARD VALVE BOX
- 8 45° SCHEDULE 40 PVC ELBOW

AUTOMATIC VALVE ASSEMBLY

PLAN #

	CITY OF LA CENTER APPROVED	REVISIONS:	DATE:	DRAWN:	DESIGNED:
	CITY ENGINEER		4/3/19		
DATE					
IRR-4					

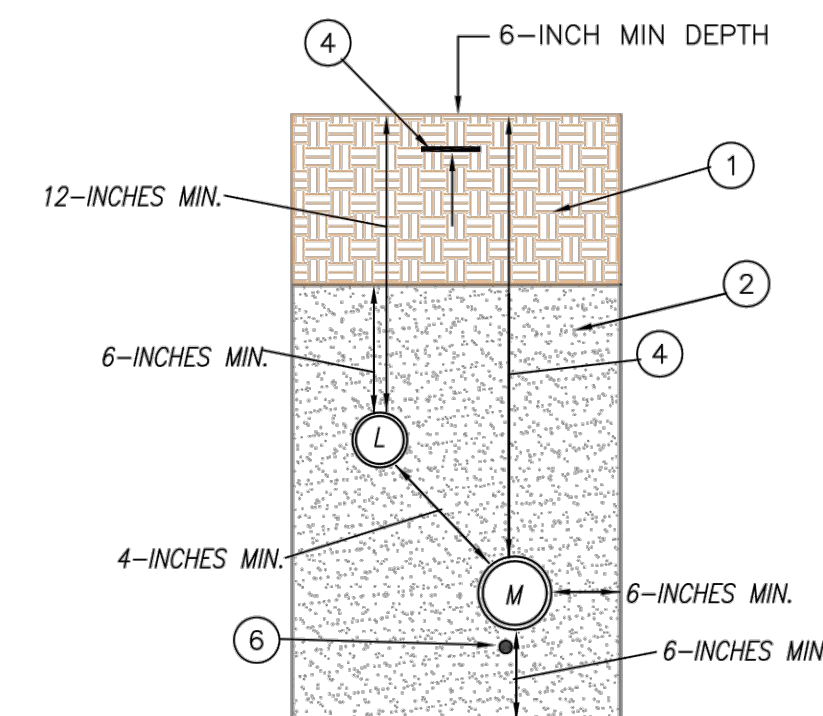


- 1 STANDARD VALVE BOX PLUS EXTENSION
- 2 BRASS BALL VALVE
- 3 MALE ADAPTER
- 4 PVC SCH. 40 STREET ELBOW
- 5 DOWNWARD FACING SCH. 40 PVC TEE OR ELBOW
- 6 3 CUBIC FEET OF WASHED DRAIN ROCK
- 7 BRICKS SUPPORTING VALVE BOX

BALL VALVE DRAIN

PLAN #

	CITY OF LA CENTER APPROVED	REVISIONS:	DATE:	DRAWN:	DESIGNED:
	CITY ENGINEER		4/3/19		
DATE					
IRR-5					



- 1 COMPACTED SOIL FOR LANDSCAPING. FOR OTHER SURFACE SEE PLANS FOR STANDARD DETAILS FOR CONSTRUCTION STANDARDS.
- 2 TOP SOIL AND BACKFILL. THE CONTRACTOR SHALL FOLLOW WSDOT SECTION 80-3.3(2) FOR EXCAVATION, SAND BACKFILL.
- 3 THE MAIN IRRIGATION PIPING SHALL HAVE A MINIMUM OF 18-INCHES OF COVER AND LATERALS SHALL HAVE A MIN. 12-INCHES OF COVER
- 4 FOR IRRIGATION PIPING UNDER HARDSCAPE, A SCHEDULE 40 PVC SLEEVE SHALL BE USED PER THE LANDSCAPING SPECIFICATIONS IN THE ENGINEERING STANDARDS
- 5 IRRIGATION CONTROL WIRE SHALL BE PLACED A MINIMUM OF 2-INCHES BELOW THE IRRIGATION PIPING. FOR CONTROL WIRE THAT DOES NOT FOLLOW THE IRRIGATION PIPE, A SEPARATE CONDUIT SHALL BE USED FOR THE CONTROL WIRE.

IRRIGATION TRENCH DETAIL IN LANDSCAPE AREA

PLAN #

	CITY OF LA CENTER APPROVED	REVISIONS:	DATE:	DRAWN:	DESIGNED:
	CITY ENGINEER		4/3/19		
DATE					
IRR-6					

DETAILS

FINAL

REVISIONS

DESIGNED BY: SAT
DRAWN BY: SAT
CHECKED BY: SAT
SCALE: N/A

JOB NUMBER: 0536
SHEET: PKP2