

District Complex Public Monument Sign

8.60 Sign Regulations

In order to eliminate the permitting challenges with wall mounting the new sign at the high school we will install it as a public monument sign for the complex along Highland Avenue.

This is a new sign requiring a permit but does not need a variance as it complies with LCMC 8.60 as listed below:

The sign will be located in an urban public (UP) zone. LCMC 8.60.110

The sign is less than 120 sqft (2)

The sign is less than 80 sqft (2) (d)

The sign is less than 8' in height from the average grade (2) (d)

La Center School District is a political subdivision of Washington State and a public agency (4)

This work will be done under LCMC 8.60.050 (1) - General Requirements:

Does not interfere with sight triangle requirements (c) (ii)

Highland Avenue has a posted speed limit of 25 mph

Lit from within the sign structure (e)

Monument sign (i)

Dimension A is \geq to dimension D 113"

Dimension C (21") is \geq 20% of dimension B (20% of 7'11" is 19")

Monument base is concrete split faced or polished CMU, or split faced garden wall blocks (j)

Lawn landscaping will remain unchanged around sign (k)

Reader board portion (o)

Display area is less than 30 sqft (i) (37.44" x 109.19" is 28.4square feet)

Luminance and images managed to comply with the code by the operating system (ii-vi)



We would like to amend our current application with the City to implement this public monument sign for the La Center School District complex along Highland Avenue. Please let us know of any other information you may need.

Thank you,

Josh Soske
866-597-6753

La Center High School Complex sign
113"

2/13/2023

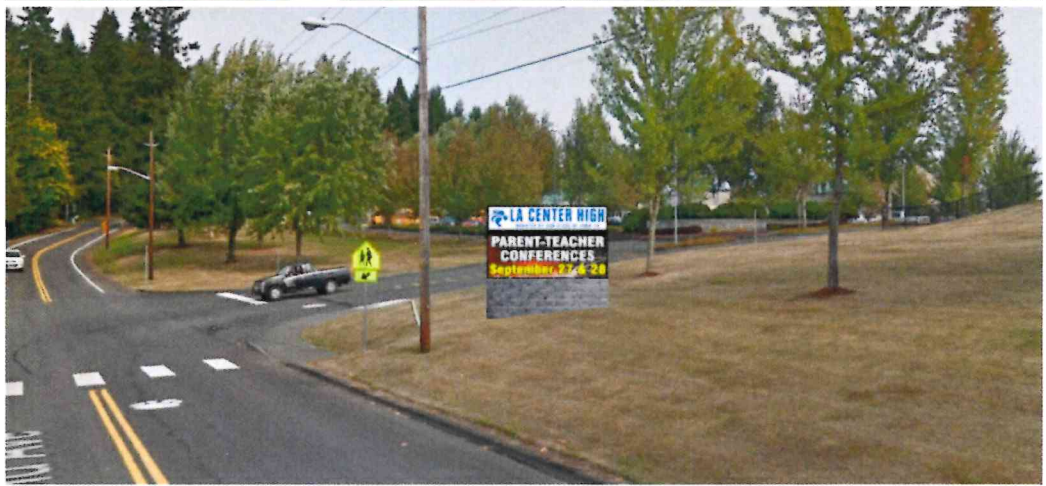
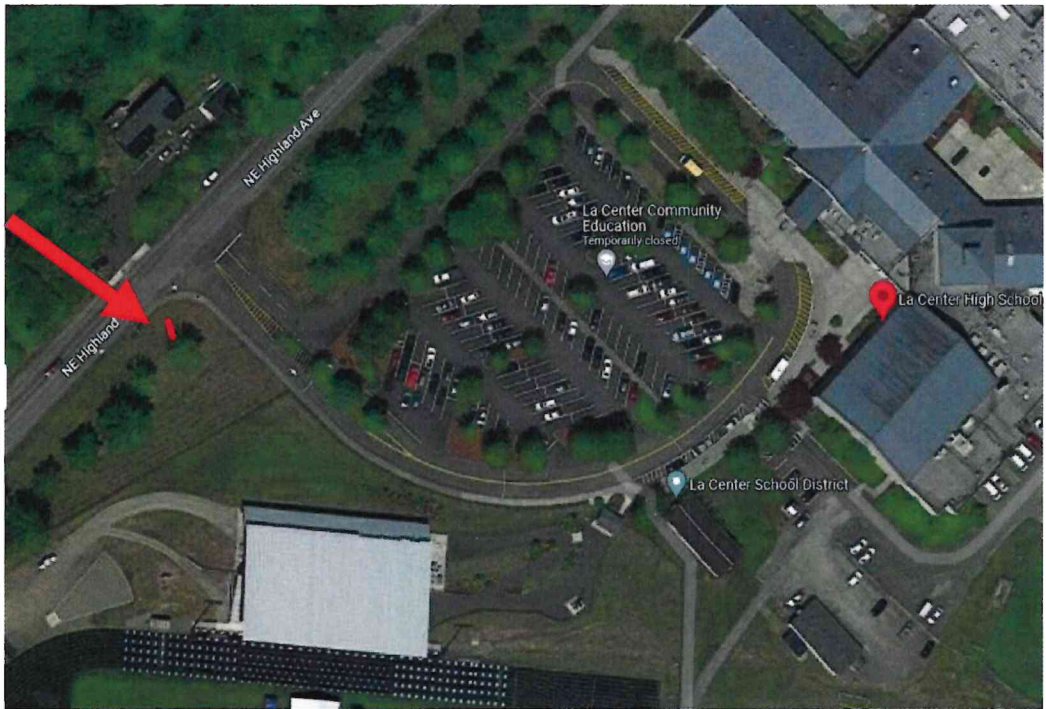


Surrounded by lawn landscaping
28.4 sqin active display area
7' 11" height from average grade
Lighted from within the structure
Luminance managed to code

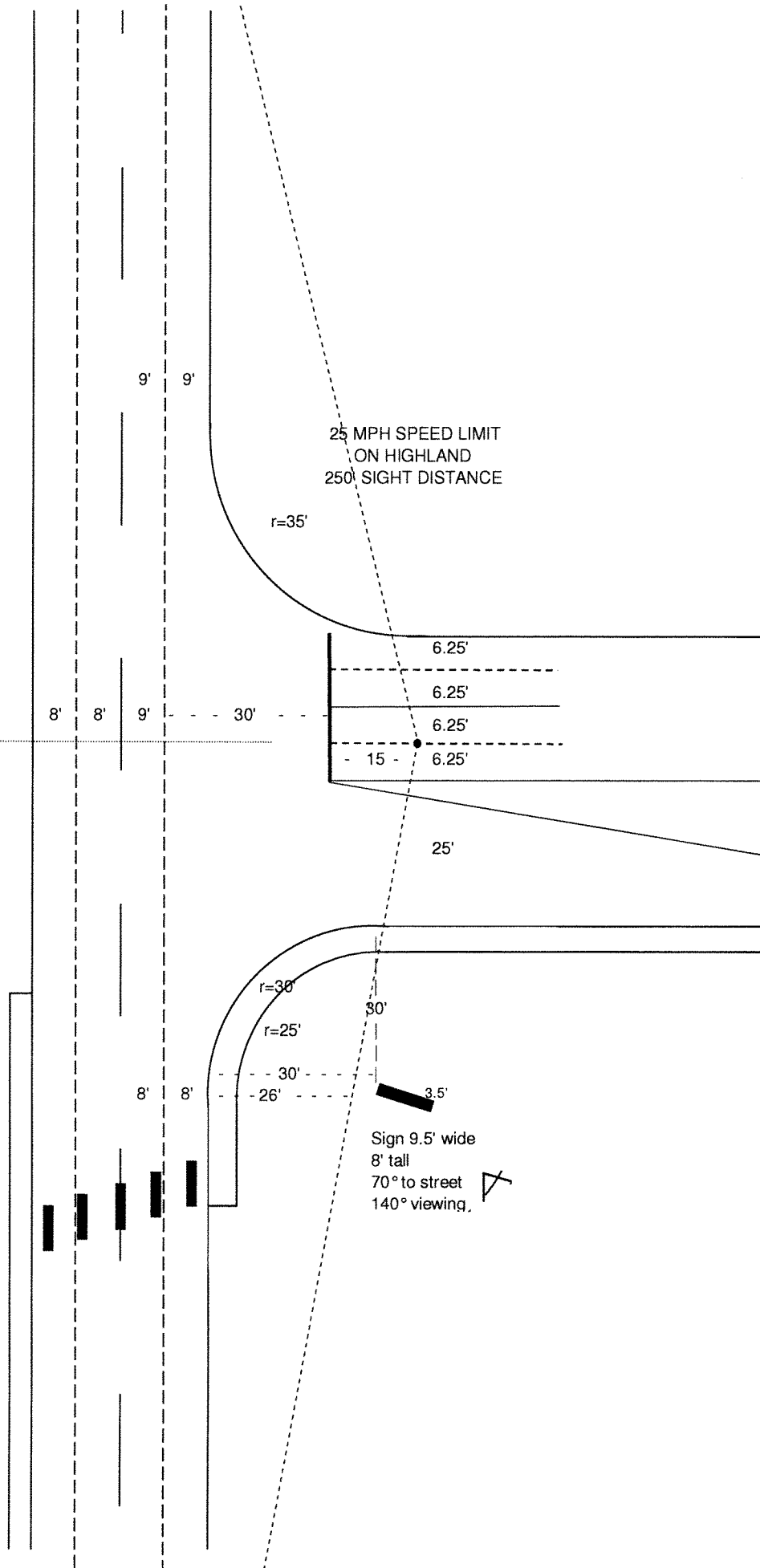
7' 11" sign height

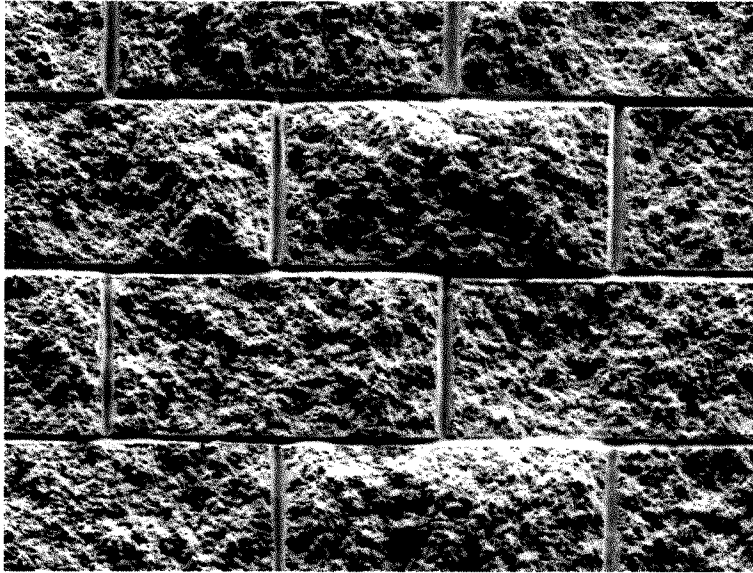
greater than 20% of sign height

— Average grade



125
121
117
113
109
105
101
97
93
89
85
81
77
73
69
65
61
57
53
49
45
41
37
33
29
25
21
17
13
9
5
3
1
5
9
13
17
21
25
29
33
37
41
45
49
53
57
61
65
69
73
77
81
85
89
93
97
101
105
109
113
117
121
125
129
133
137
141
145

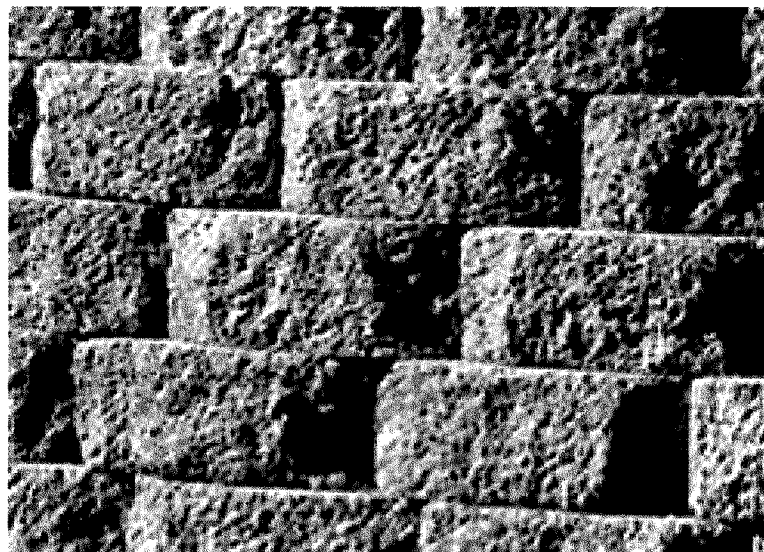




concrete split faced CMU



concrete polished CMU



concrete split faced garden wall block



- Overall Dimensions
5.67' high x 9.42' wide
- ID Panel (Backlit)
2' high x 9.42' wide
- LED Display
GS6-60x175-15.85-RGB
3.67' high x 9.42' wide

PRODUCTION READY ARTWORK NEEDED FOR:

09/30/2021 (REV 0) Concept La Center HS_WA Entrance GS6-60x175-15_85 (1)

LA CENTER HIGH SCHOOL LA CENTER, WA

THIS ARTWORK IS PROTECTED UNDER FEDERAL AND INTERNATIONAL COPYRIGHT LAW. EXPRESSED PERMISSION FROM DAKTRONICS INC. IS REQUIRED FOR REPRODUCTION. RENDERINGS ARE FOR THE EXCLUSIVE USE OF DAKTRONICS, DAKTRONICS CUSTOMERS, AND A CUSTOMER'S PARTNERS. RENDERINGS ARE CONCEPTUAL IN NATURE, AND ALTERATIONS MAY OCCUR DURING THE DESIGN AND INSTALLATION PROCESS. THEREFORE, THESE RENDERINGS DO NOT REPRESENT FABRICATION OR STRUCTURAL ENGINEER CERTIFIED OR STAMPED DOCUMENTS.



PIXELS HIGH (AAA)	PIXELS WIDE (BBB)	PIXEL SPACING (CC)
60	175	15.85mm
48	140	19.81mm
36	105	26.42mm

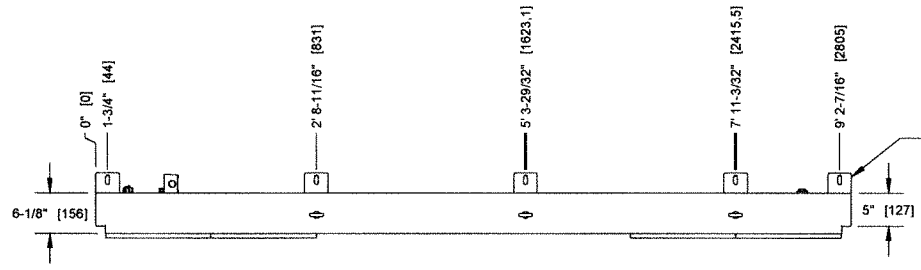
#	DETAIL	DESCRIPTION
1	DISPLAY	GS6-AAxBBB-CC (SEE CHART ON TOP LEFT)
2	LED COLOR	RED, AMBER, OR RGB
3	ACTIVE AREA	3' 1-7/16" [951] X 9' 1-3/16" [2774]
4	OVERALL SIZE	3' 7-7/16" [1103] X 9' 4-3/16" [2850]
5	CABINET	ALUMINUM & STEEL
6	VENTILATION	FRONT
7	ACCESS	SERVICE FROM FRONT OF DISPLAY
8	WEIGHT	244 LBS [111 KG] (APPROX)
9	SHIPPING	SHIPPED AS A SINGLE UNIT
10	DIMENSIONS	FEET AND INCHES [MILLIMETERS]
11	PAINTED	SEM-GLOSS BLACK

STRUCTURAL RATING		
1	DESIGN WIND PRESSURE "P" (CASE A)	P=100 PSF (ASD)
2	STANDARD CODE	SEE 004145274 FOR APPLICABLE DESIGN CODE
3	ALL CLIP ANGLES MUST BE USED TO MOUNT DISPLAY	

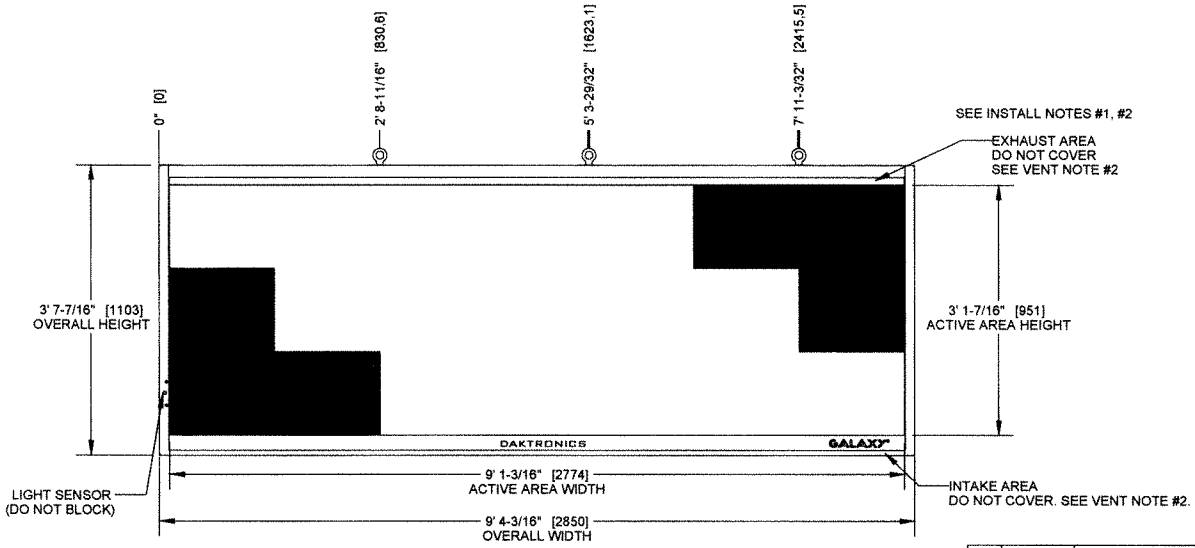
POWER RATING PER SINGLE FACE: FOR SIZING ELEC. SERVICE MAX REQ'D SHOWN				
TECHNOLOGY	COLOR	MAX WATTS	120VAC 1PH 50/60Hz (2 WIRES + GND) DOMESTIC	240VAC 1PH 50Hz (2 WIRES + GND) INTERNATIONAL SPECIAL ORDER
			LINE 1 (AMPS)	LINE 1 (AMPS)
GS6	RED	636	5.30	2.65
	AMBER	636	5.30	2.65
	RGB	1048	8.74	4.37

VENTILATION REQUIREMENTS	
1	DISPLAY RELIES ON VENTILATION TO FUNCTION PROPERLY. INTAKES, LOCATED AT THE FRONT OF THE DISPLAY, MUST BE ABLE TO DRAW IN AIR AT A TEMPERATURE NO GREATER THAN 120° F.
2	IN ORDER TO ENSURE AMBIENT TEMPERATURE AIRFLOW IS MAINTAINED, NO PORTION OF THE VENTILATION OPENINGS ALONG THE FRONT OF THE DISPLAY MAY BE COVERED OR OBSTRUCTED IN ANY WAY.

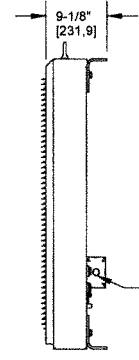
INSTALL NOTES	
1	IN ORDER TO PRESERVE THE STRUCTURAL INTEGRITY OF THE DISPLAY CABINET, THE 90° ANGLE BETWEEN THE CABINET AND THE LIFTEYE MUST BE MAINTAINED - USING A SPREADER BEAM IS SUGGESTED. ALL EYEBOLTS MUST BE USED WHEN LIFTING.
2	1/2" LIFTEYES TO ASSIST WITH DISPLAY INSTALLATION. LIFTEYES MAY NOT BE USED FOR PERMANENT INSTALLATION. LIFTEYES MAY BE REMOVED.
3	MECHANICAL AND SIGNAL CONNECTIONS OCCUR EXTERNAL TO DISPLAY.
4	CLIP ANGLE FOR MOUNTING. CLIP ANGLES CAN BE ADJUSTED VERTICALLY 1/316" AS NEEDED DURING INSTALLATION. CLIP ANGLE CAN BE WELDED OR BOLTED TO STRINGER. ALL CLIP ANGLE LOCATIONS MUST BE USED.
5	DAKTRONICS IS NOT RESPONSIBLE FOR THE MOUNTING HARDWARE OR THE INTEGRITY OF THE MOUNTING STRUCTURE.
6	DAKTRONICS IS NOT RESPONSIBLE FOR THE MAIN ELECTRICAL DISCONNECT. SEE POWER RATINGS ABOVE.
7	SEE DWG-03097583 FOR SIGNAL & MTG DETAILS



TOP VIEW



FRONT VIEW

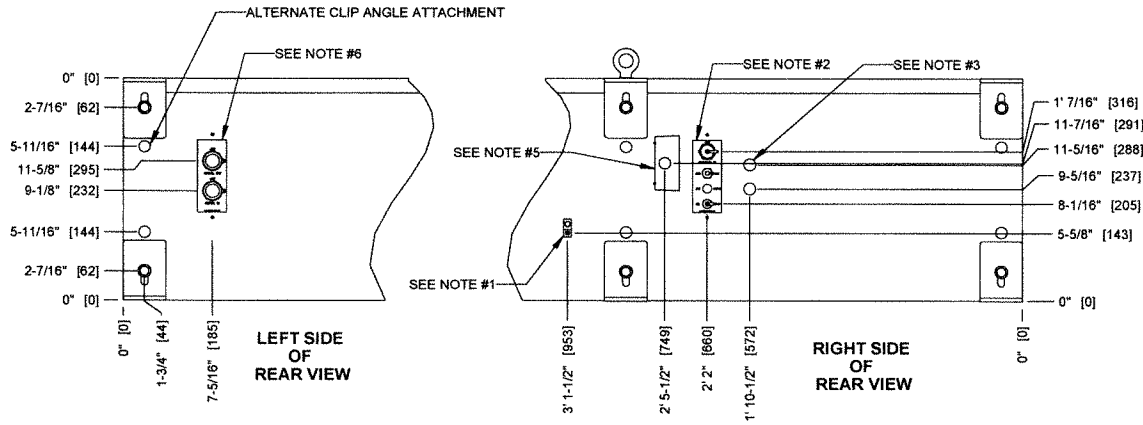


RIGHT VIEW

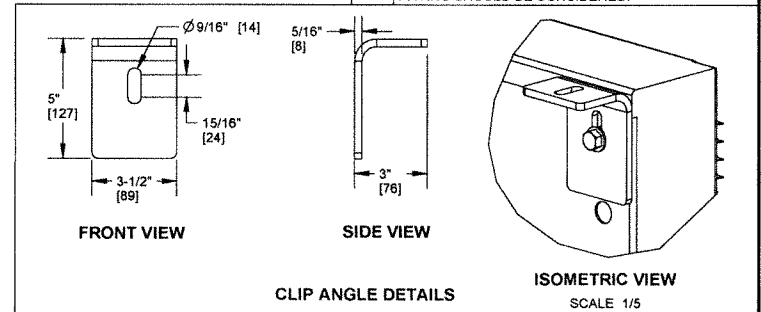
REV	DATE	DESCRIPTION	BY
04	15 MAR 21	PER CN-117096 UNDER STRUCTURAL RATING-STANDARD/CODE NOTED TO REFERENCE 004145274	CJC 20633
03	16 AUG 2016	PER EC-22282 UPDATED DRAWING LAYOUT	DJO 18434
02	09 MAY 16	UPDATED GALAXY LABEL	BAB 18436

		<small>THE CONCEPTS EXPRESSED AND DETAILS SHOWN ON THIS DRAWING ARE CONFIDENTIAL AND PROPRIETARY. DO NOT REPRODUCE OR ANY MANS WITHOUT THE EXPRESS WRITTEN CONSENT OF DAKTRONICS, INC. OR ITS WHOLLY OWNED SUBSIDIARIES. COPYRIGHT 2016 DAKTRONICS, INC. (USA)</small>			
PROJECT: GALAXY GS6 SERIES					
TITLE: SHOP DWG, GS6-R, 3' 8\"/> 					
DATE: 08-MAR-21		DIM UNITS: INCHES [MILLIMETERS]		SHEET: 1 OF 1	
SCALE: 1/18		DO NOT SCALE DRAWING		REV: 05	
DESIGN: TWHITEH		JOB NO: P1817		FUNC. TYPE: SIZE	
DRAWN: DOSTRAA		E - 07 - B		3111351	

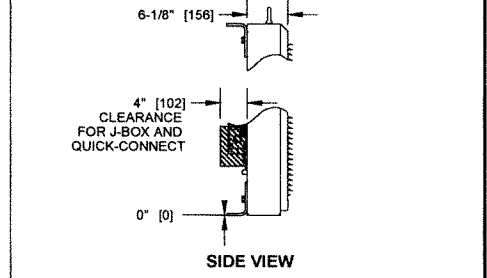
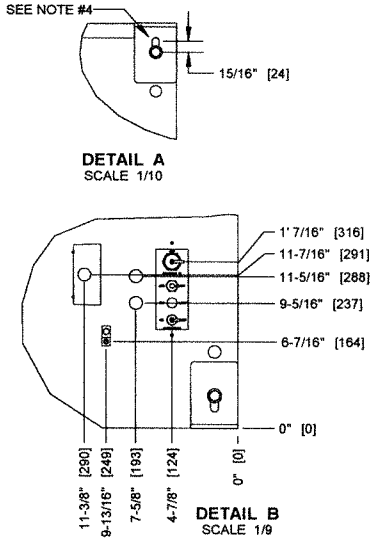
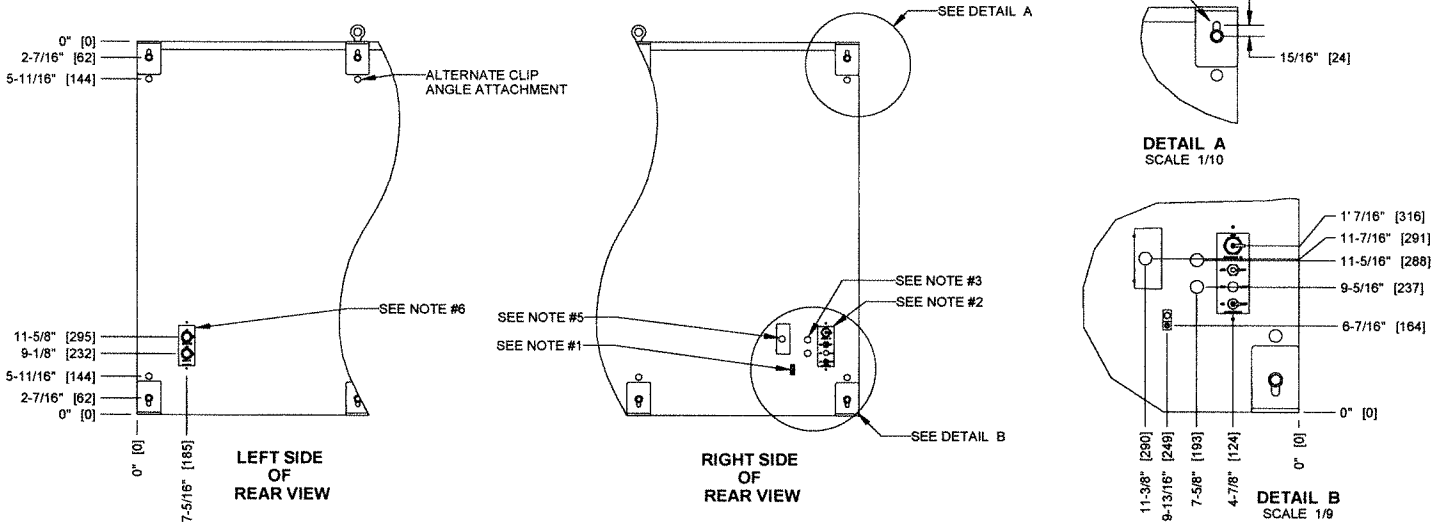
FOR DISPLAYS 1 X * MODS



INSTALL NOTES	
1	GROUND LUG FOR GROUND CONNECTION
2	SIGNAL INPUT AT QUICK CONNECT. PRIMARY/SINGLE FACE DISPLAY SHOWN.
3	TWO 1" CONDUIT KNOCKOUTS FOR OPTIONAL SIGNAL ENTRANCE.
4	CLIP ANGLE FOR MOUNTING. CLIP ANGLES CAN BE ADJUSTED VERTICALLY AS NEEDED DURING INSTALLATION. CLIP ANGLE CAN BE WELDED OR BOLTED TO STRINGER.
5	POWER ENTRANCE. SEE SIZE SPECIFIC DRAWING FOR POWER RATING.
6	SIGNAL INTERCONNECT
7	MECHANICAL AND SIGNAL CONNECTIONS OCCUR EXTERNAL TO DISPLAY.
8	ALL CLIP ANGLES OR THEIR RESPECTIVE LOCATIONS MUST BE USED FOR MOUNTING.
9	ALLOWABLE NUTS/TENSION IS 1000 LBS. PRYING SHOULD BE CONSIDERED.



FOR DISPLAYS 2 X * THROUGH 6 X * MODS TALL



03	5 JUL 18	PER EC-59430 ADDED NUT/SERT LOAD	BJK 17535
02	14 SEP 16	MOVED RIGHT QUICK CONNECT OVER 1.5" TO RIGHT	BJK 17535
01	11 JUL 16	ADDED INSTALL NOTE #8	BAB 18436
REV	DATE		BY

PROJECT:	GALAXY GS6 DISPLAYS		THIRD ANGLE PROJECTION
TITLE:	SHOP DWG, GS6 - SIGNAL, POWER, & MOUNTING DETAILS		
DATE:	05-JUL-18	DM UNITS: INCHES [MILLIMETERS]	SHEET 3 OF 1
SCALE:	1/18	DO NOT SCALE DRAWING	REV 03
DESIGN:	TWHITEH	JOB NO. P1817	E - 07 - B
DRAWN:	DOSTRAA		3097583