

- ① FINISH GRADE OF SOD
- ② ROTOR POP-UP SPRINKLER AS SPECIFIED IN SPECS.:
- ③ RAINBIRD TSJ-100-PRS (TYPICAL)
- ④ PVC SCH 40 STREET EL.
- ⑤ PVC SCH 40 TEE SLIP-SLIP-FITP OR SLIP-SLIP-THREAD

ROTOR POP-UP SPRINKLER ASSEMBLY WITH PRE-MADE SWING FITTINGS

PLAN #

CITY OF LA CENTER APPROVED

REVISIONS:	DATE:	DRAWN:	DESIGNED:

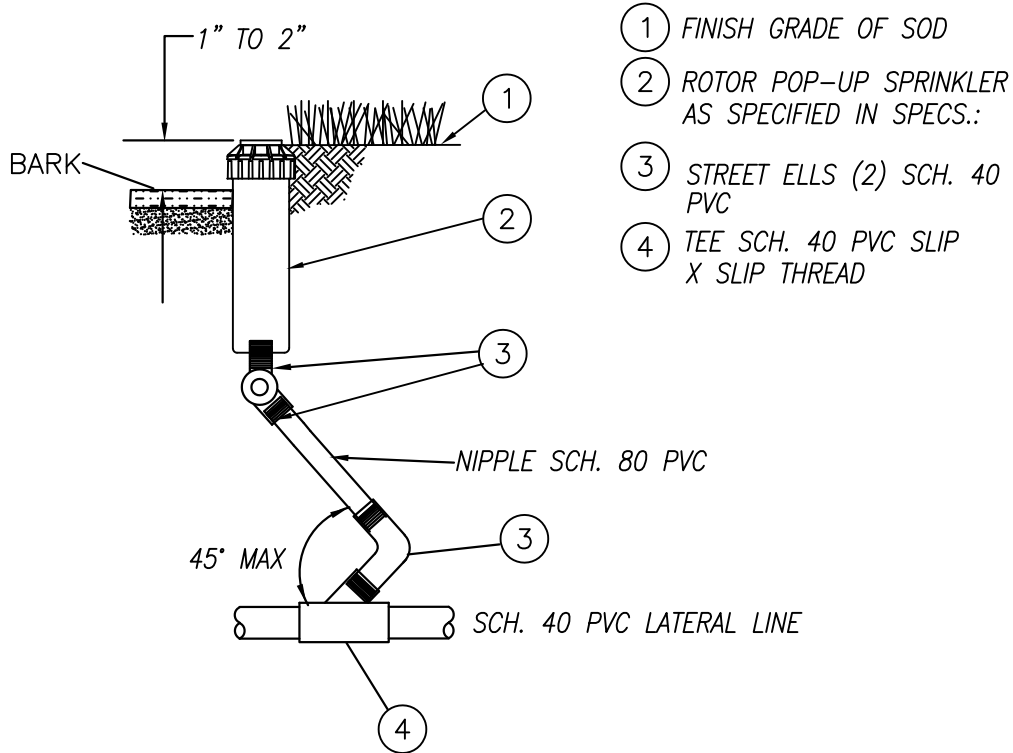


4/3/19

CITY ENGINEER

DATE

IRR-1



- ① FINISH GRADE OF SOD
- ② ROTOR POP-UP SPRINKLER AS SPECIFIED IN SPECS.:
- ③ STREET ELLS (2) SCH. 40 PVC
- ④ TEE SCH. 40 PVC SLIP X SLIP THREAD

ROTOR POP-UP SPRINKLER

PLAN #

CITY OF LA CENTER APPROVED

REVISIONS:	DATE:	DRAWN:	DESIGNED:

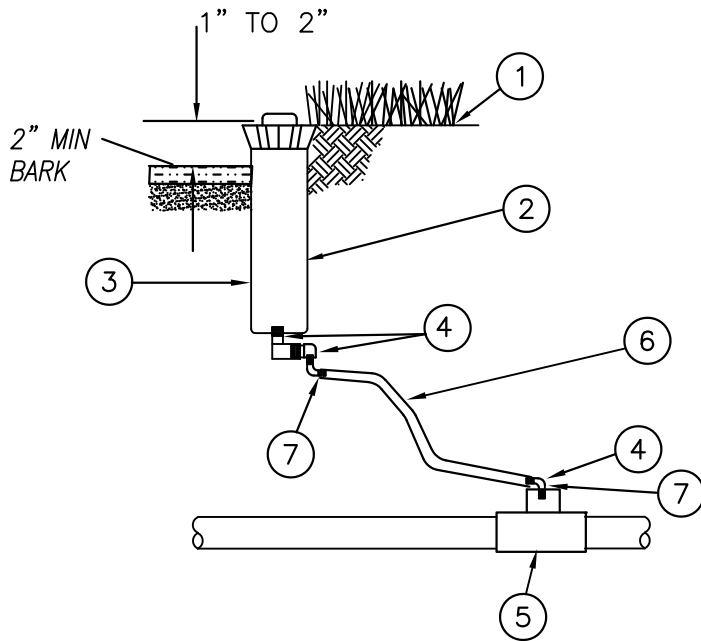


4/3/19

CITY ENGINEER

DATE

IRR-2



- ① FINISH GRADE OF SOD
- ② ROTOR POP-UP SPRINKLER:
(IN SOD AREAS)
RAIN BIRD 1806
1806 SAM
1806 SAM-P45
1806 SAM-PRS
- ③ ROTOR POP-UP SPRINKLER:
(IN BED AREAS)
RAIN BIRD
1812, 1812 SAM
1812 SAM-P45
1812 SAM-PRS
- ④ MARLEX STREET ELBOWS.
- ⑤ PVC SCH 40 TEE
SLIP-SLIP-THREAD
- ⑥ FLEX PIPE—NO MORE THAN 5'
- ⑦ $\frac{3}{8}$ " BARB X $\frac{1}{2}$ " MALE THREAD ELBOW
(MARLEX)

POP-UP SPRINKLER

PLAN #

CITY OF LA CENTER APPROVED

REVISIONS:	DATE:	DRAWN:	DESIGNED:

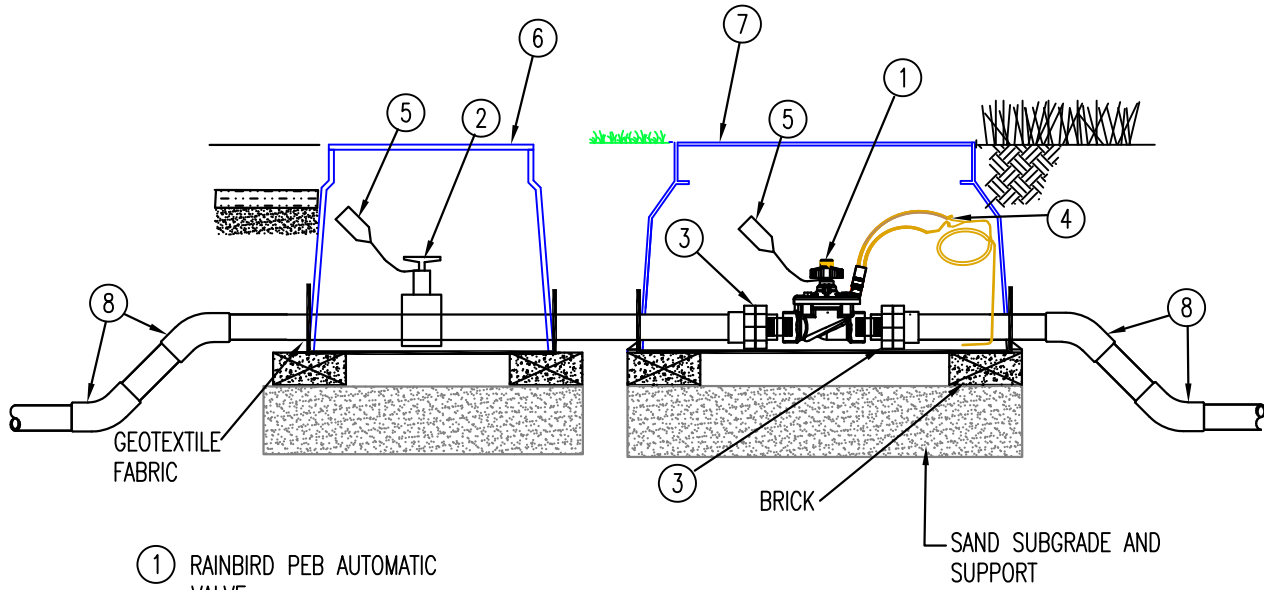


4/3/19

CITY ENGINEER

DATE

IRR-3



- ① RAINBIRD PEB AUTOMATIC VALVE
- ② PVC BALL VALVE FEMALE
- ③ PVC UNION SLIP X (M) THREAD
- ④ WATERPROOF CONNECTORS WITH EXPANSION LOOP
- ⑤ VALVE ID TAG
- ⑥ 10-INCH ROUND VALVE BOX
- ⑦ STANDARD VALVE BOX
- ⑧ 45° SCHEDULE 40 PVC ELBOW

AUTOMATIC VALVE ASSEMBLY

PLAN #

CITY OF LA CENTER APPROVED

REVISIONS:	DATE:	DRAWN:	DESIGNED:

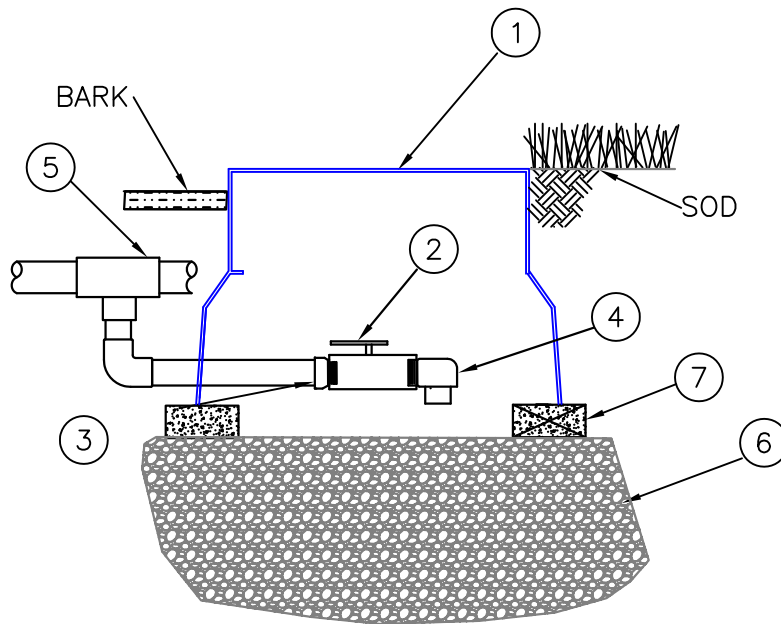
IRR-4



4/3/19

CITY ENGINEER

DATE



- ① STANDARD VALVE BOX PLUS EXTENSION
- ② BRASS BALL VALVE
- ③ MALE ADAPTER
- ④ PVC SCH. 40 STREET ELBOW
- ⑤ DOWNWARD FACING SCH. 40 PVC TEE OR ELBOW
- ⑥ 3 CUBIC FEET OF WASHED DRAIN ROCK
- ⑦ BRICKS SUPPORTING VALVE BOX

BALL VALVE DRAIN

PLAN #

CITY OF LA CENTER APPROVED

REVISIONS:

DATE:

DRAWN:

DESIGNED:

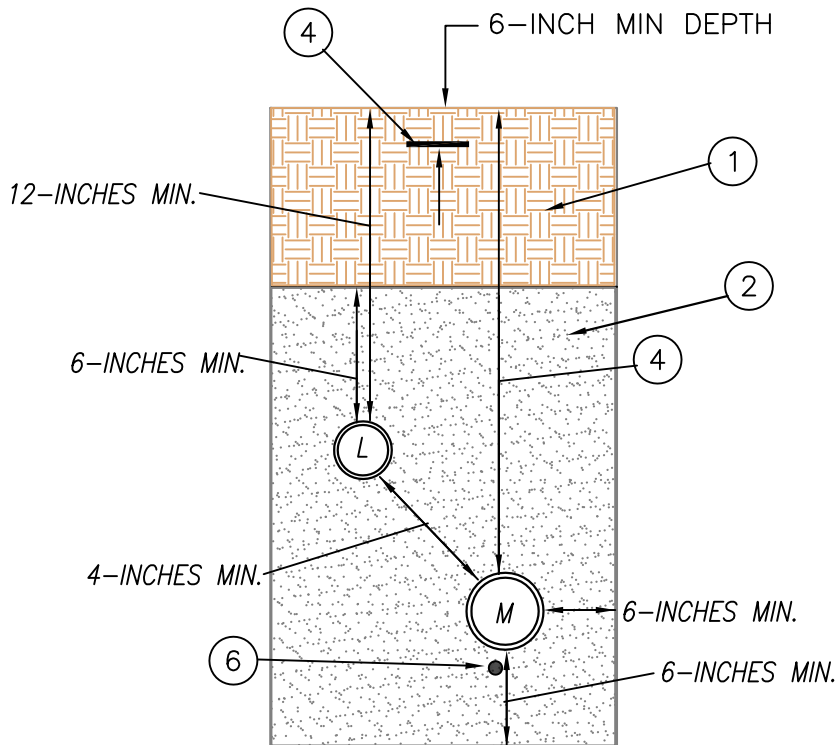
IRR-5

4/3/19

CITY ENGINEER

DATE





LEGEND

L = LATERAL
M = MAIN

- ① COMPACTED SOIL FOR LANDSCAPING. FOR OTHER SURFACE SEE PLANS FOR STANDARD DETAILS FOR CONSTRUCTION STANDARDS.
- ② TOP SOIL AND BACKFILL. THE CONTRACTOR SHALL FOLLOW WSDOT SECTION 80-3.3(2) FOR EXCAVATION, SAND BACKFILL.
- ③ THE MAIN IRRIGATION PIPING SHALL HAVE A MINIMUM OF 18-INCHES OF COVER AND LATERALS SHALL HAVE A MIN. 12-INCHES OF COVER
- ④ FOR IRRIGATION PIPING UNDER HARDSCAPE, A SCHEDULE 40 PVC SLEEVE SHALL BE USED PER THE LANDSCAPING SPECIFICATIONS IN THE ENGINEERING STANDARDS
- ⑤ IRRIGATION CONTROL WIRE SHALL BE PLACED A MINIMUM OF 2-INCHES BELOW THE IRRIGATION PIPING. FOR CONTROL WIRE THAT DOES NOT FOLLOW THE IRRIGATION PIPE, A SEPARATE CONDUIT SHALL BE USED FOR THE CONTROL WIRE.

IRRIGATION TRENCH DETAIL IN LANDSCAPE AREA

PLAN #

CITY OF LA CENTER APPROVED

REVISIONS: DATE: DRAWN: DESIGNED:

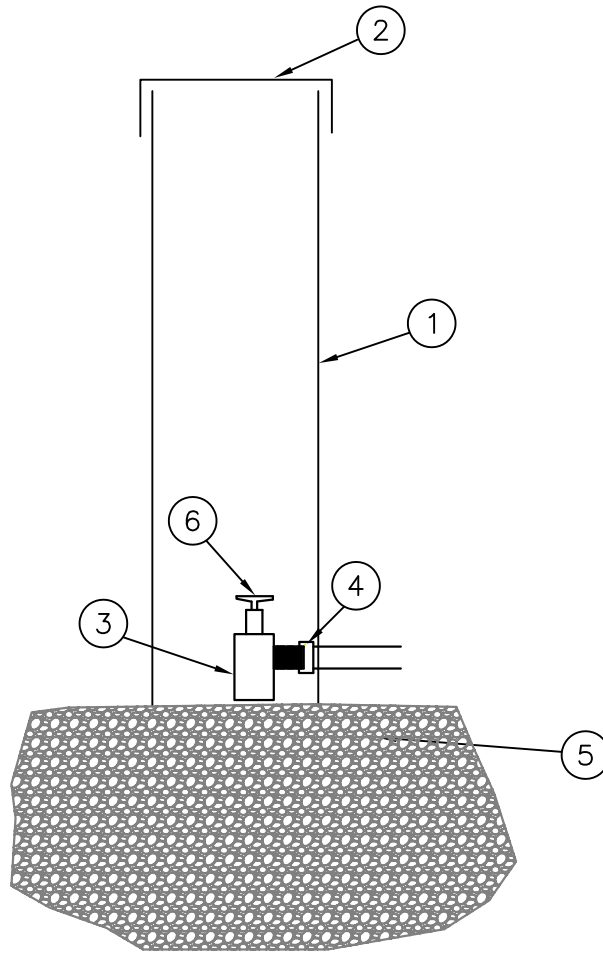


4/3/19

CITY ENGINEER

DATE

IRR-6



- ① PVC PIPE/VALVE CAN (10" ROUND)
- ② VALVE COVER
- ③ BALL VALVE
- ④ PVC SCHEDULE 40 MALE ADAPTER
- ⑤ 3 CUBIC FEET OF WASHED DRAIN ROCK
- ⑥ BRASS GATE VALVE WITH KEY

DRAIN VALVE ASSEMBLY

PLAN #

CITY OF LA CENTER APPROVED

REVISIONS:

DATE:

DRAWN:

DESIGNED:

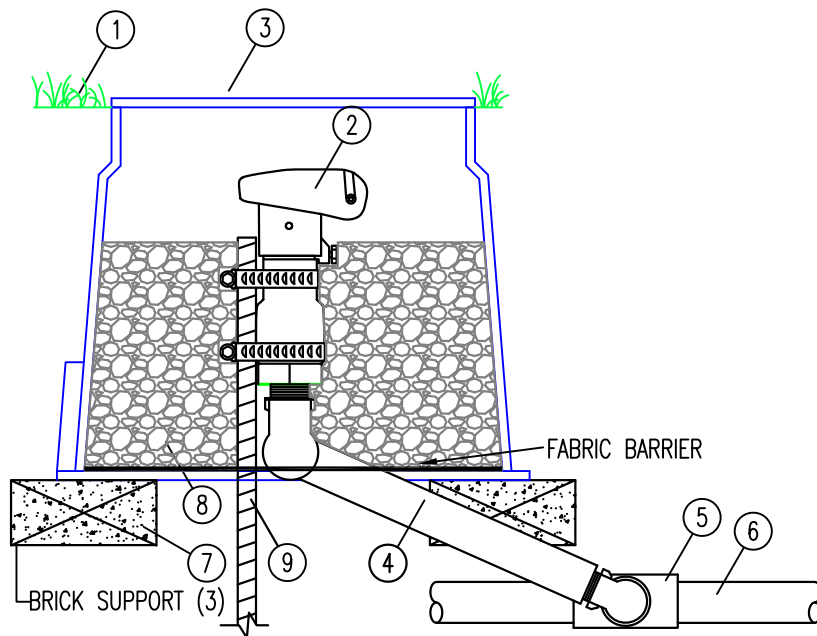


4/3/19

CITY ENGINEER

DATE

IRR-7



- ① FINISH GRADE
- ② MODEL RAINBIRD 44RC
QUICK COUPLER VALVE
- ③ 10" ROUND VALVE BOX
- ④ PREFABRICATED SWING JOINT
- ⑤ MAIN LINE TEE OR ELL
- ⑥ MAIN LINE PIPE
- ⑦ BRICK SUPPORT (3)
- ⑧ 3/4" MINUS GRAVEL
- ⑨ #4 REBAR W/SS HOSE CLAMPS
(36-INCH DEPTH MIN)

QUICK COUPLER VALVE

PLAN #

CITY OF LA CENTER APPROVED

REVISIONS: DATE: DRAWN: DESIGNED:



4/3/19

CITY ENGINEER

DATE

IRR-8