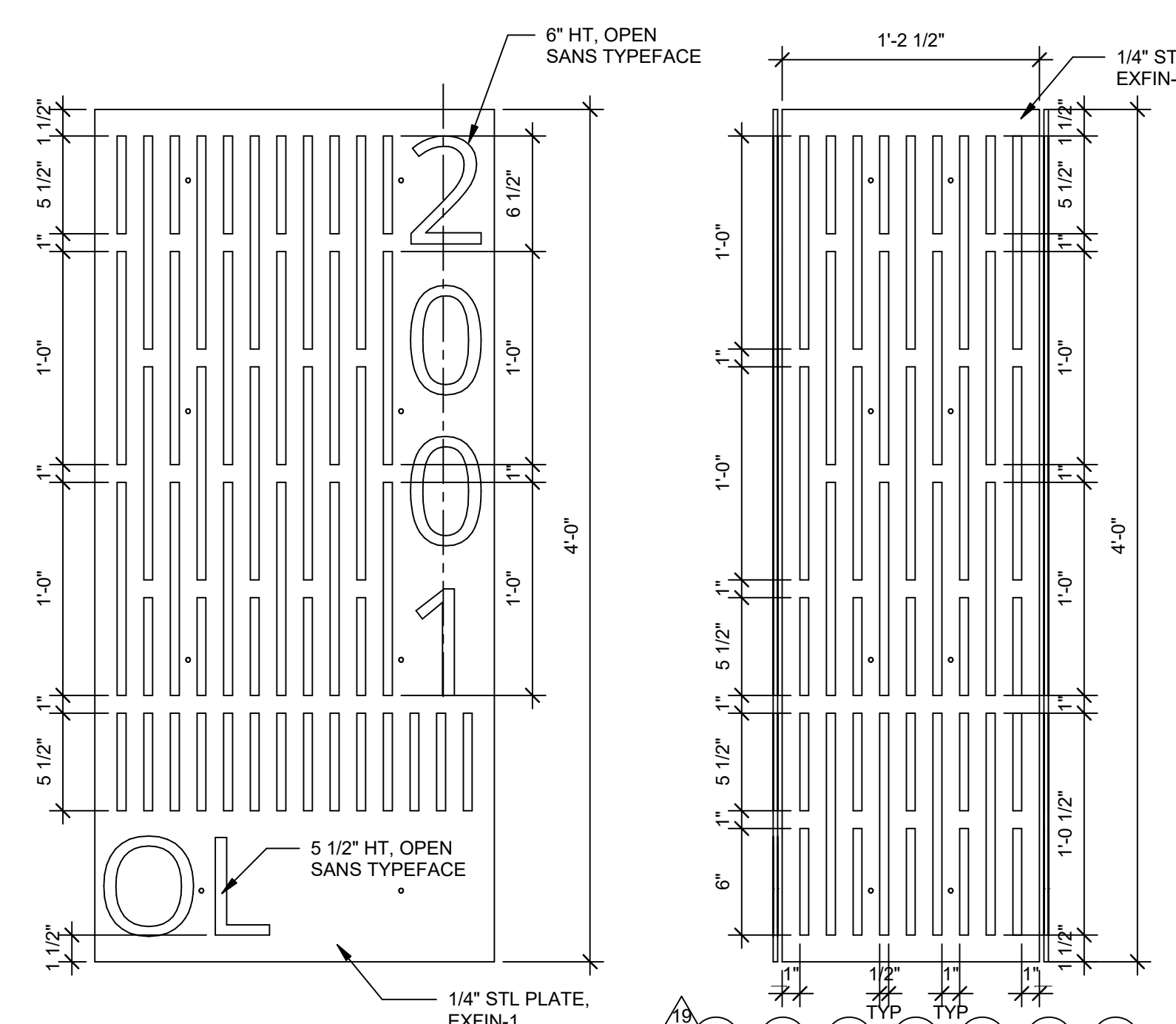
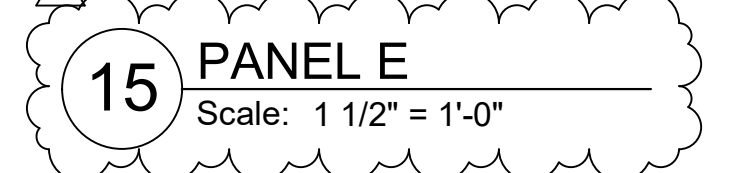


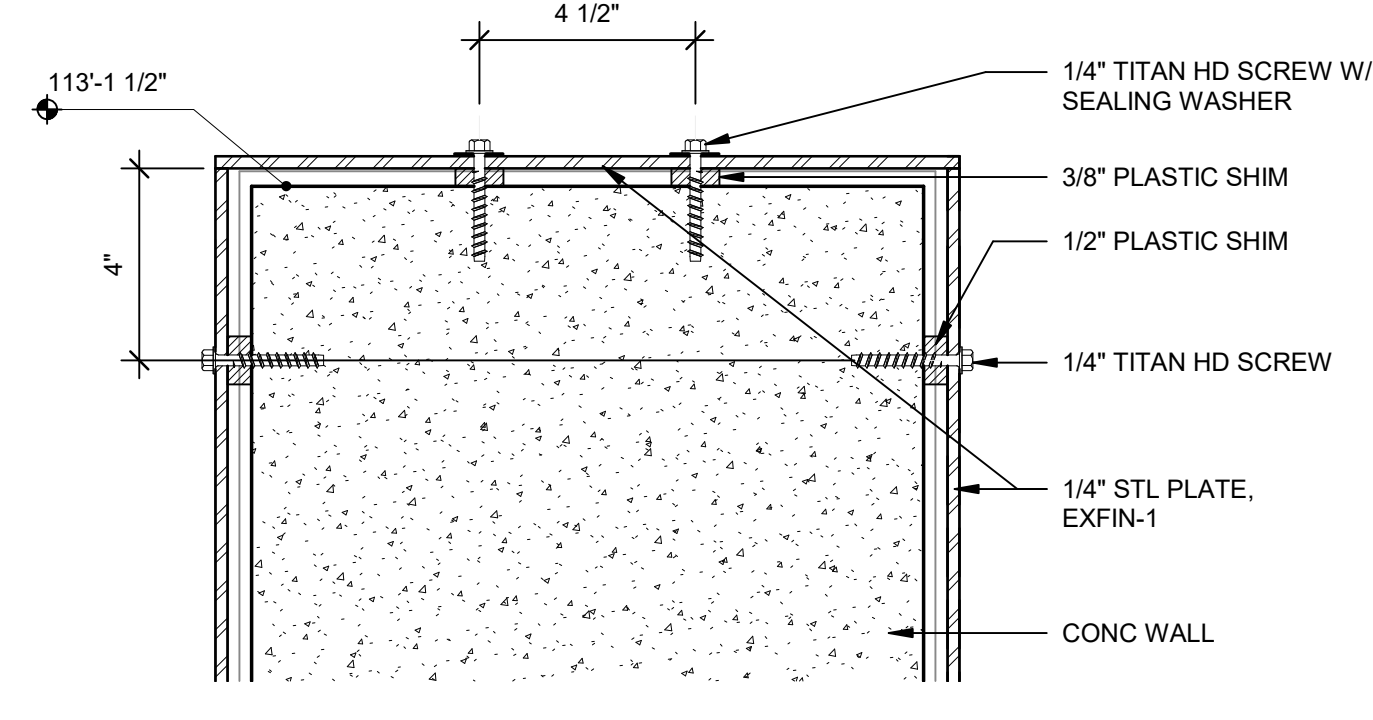
17 PANEL A  
Scale: 1 1/2" = 1'-0"



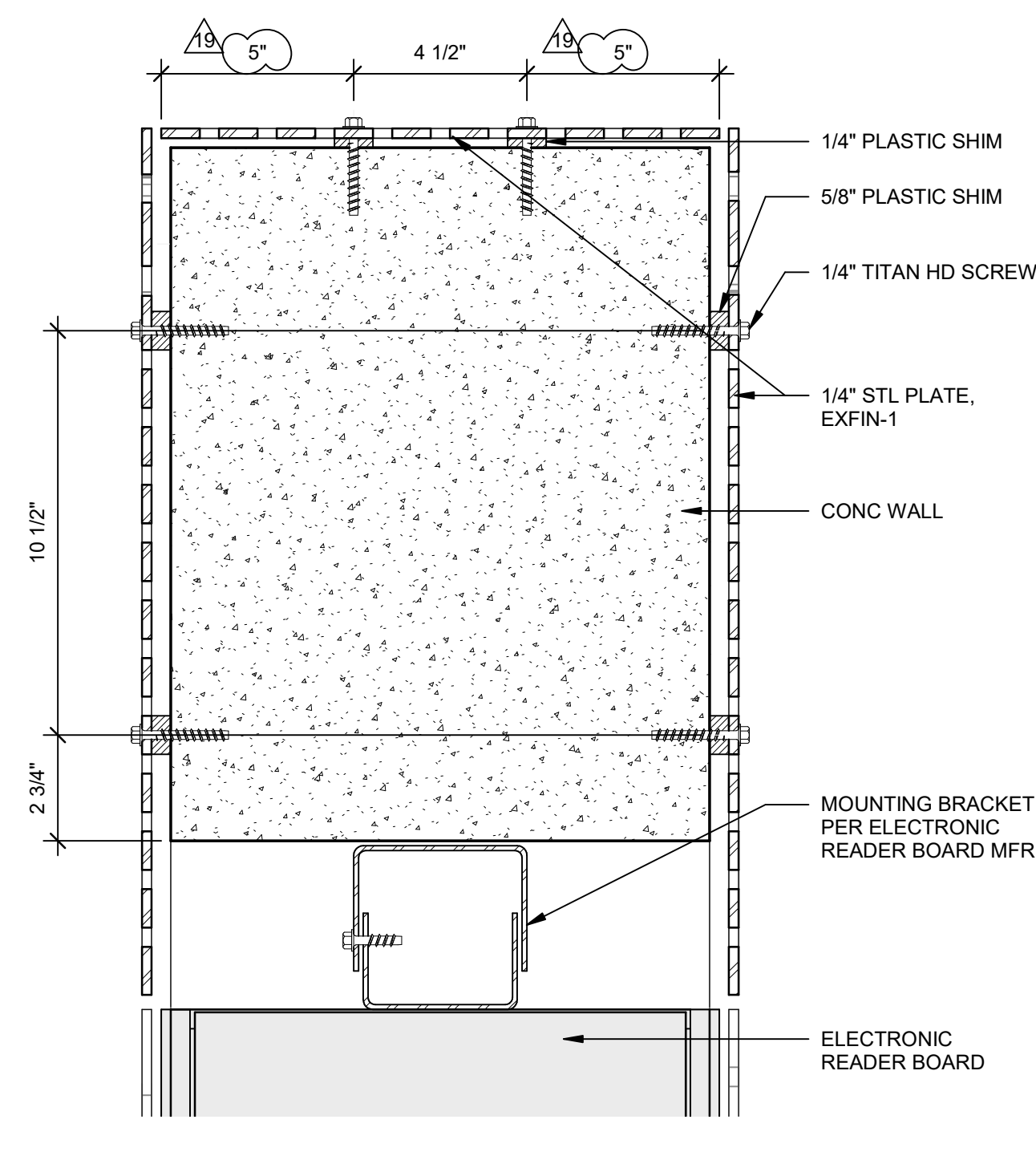
16 PANEL C  
Scale: 1 1/2" = 1'-0"



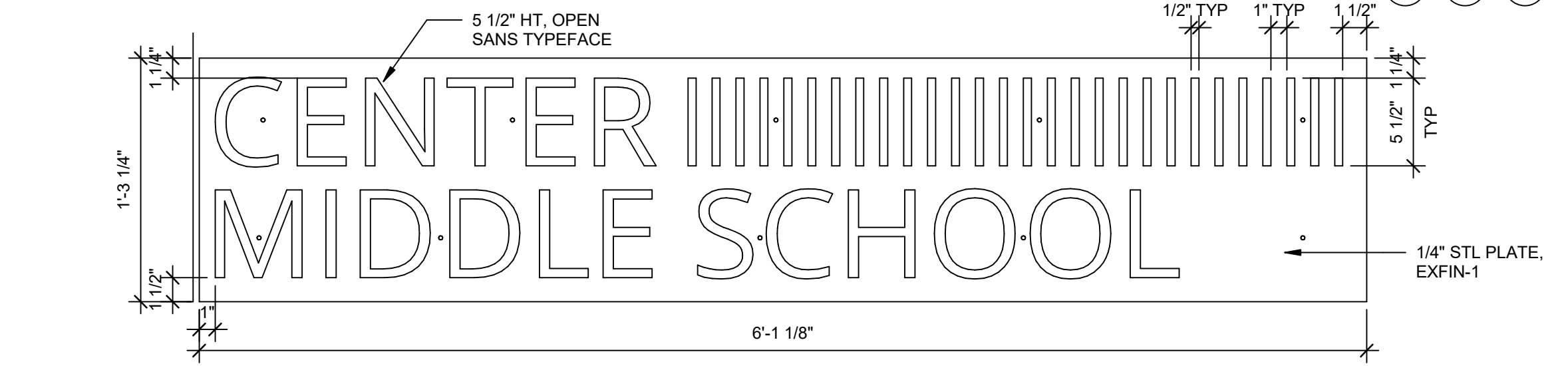
15 PANEL E  
Scale: 1 1/2" = 1'-0"



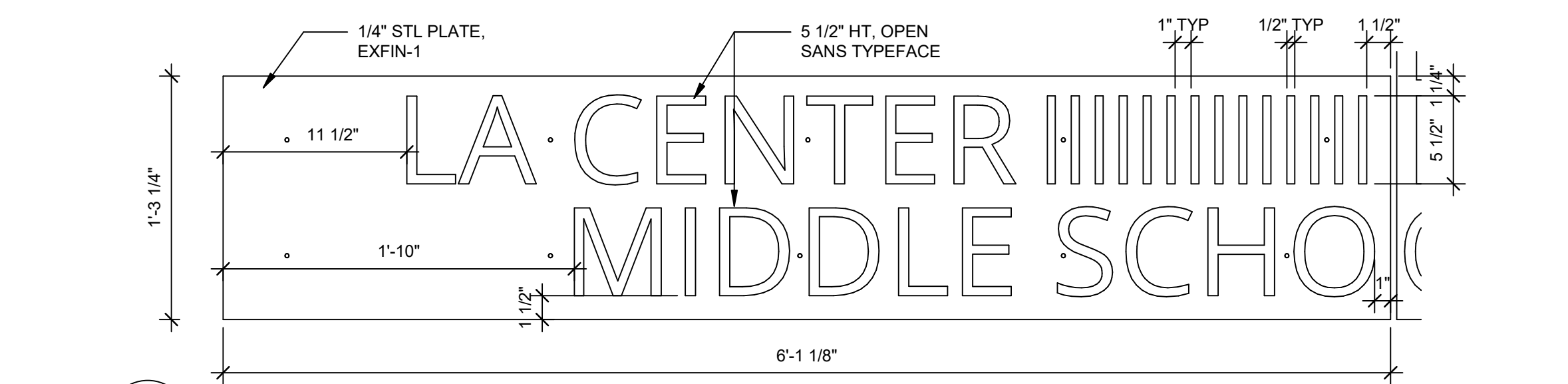
10 TOP PLATE @ CONC  
Scale: 3" = 1'-0"



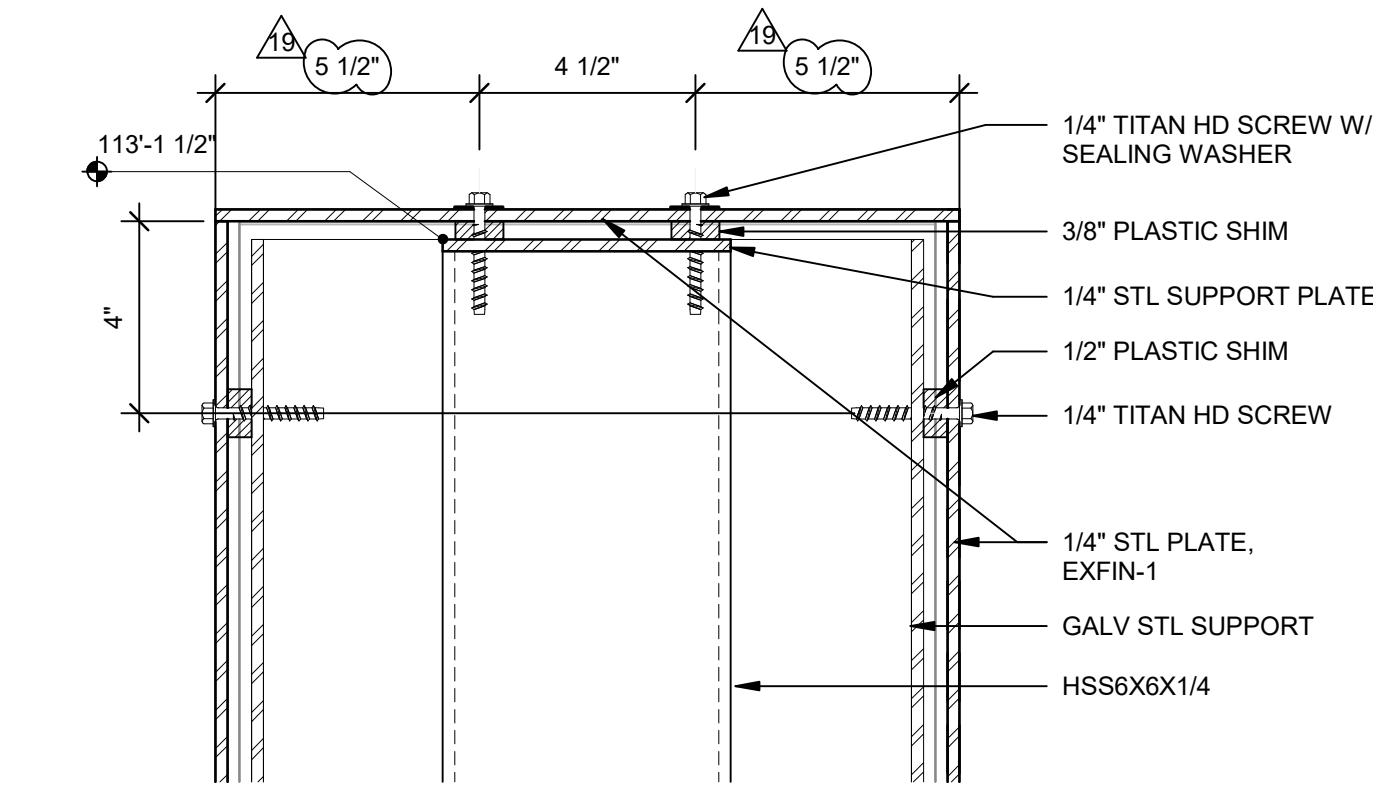
6 NORTH EDGE CONDITION  
Scale: 3" = 1'-0"



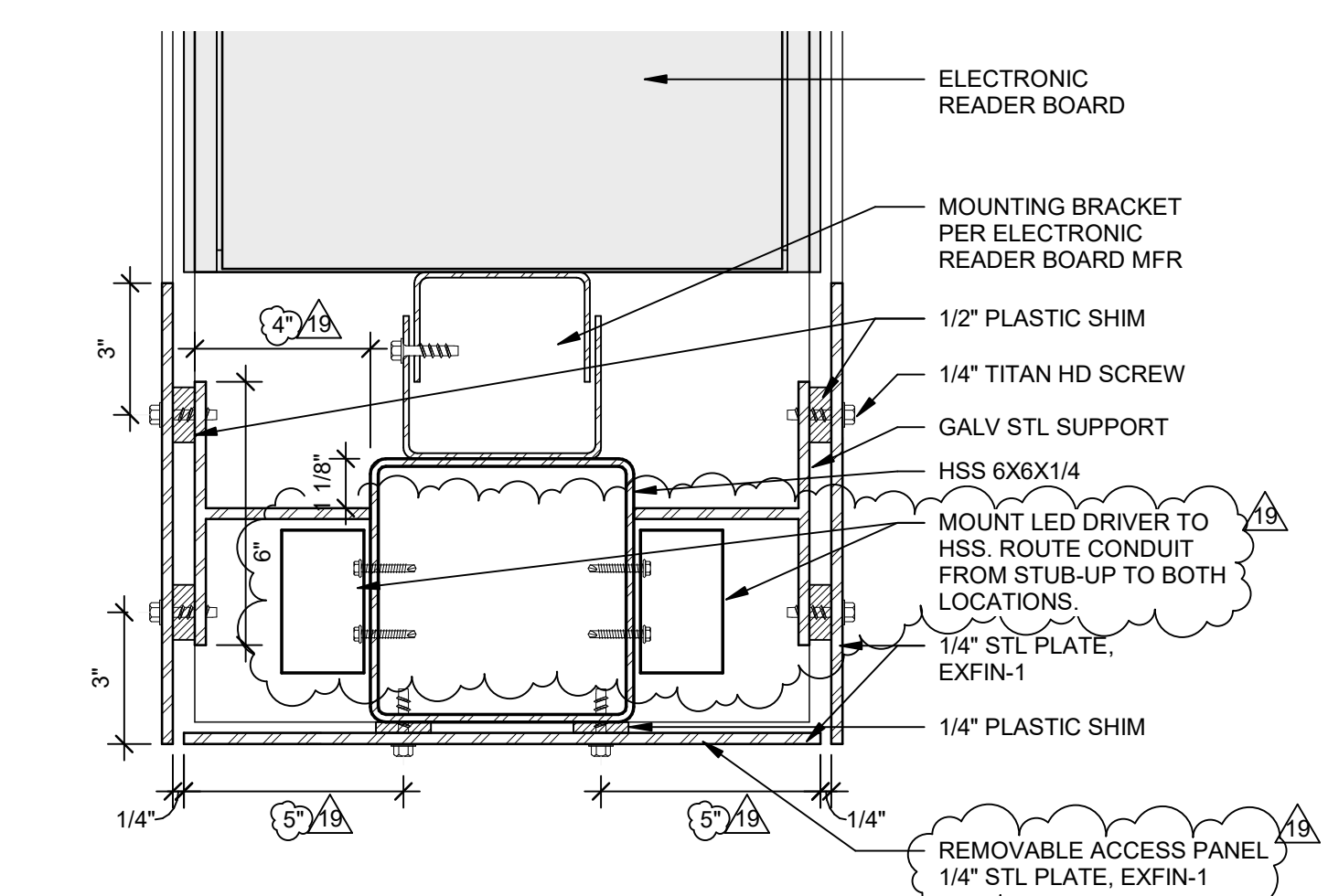
14 PANEL B  
Scale: 1 1/2" = 1'-0"



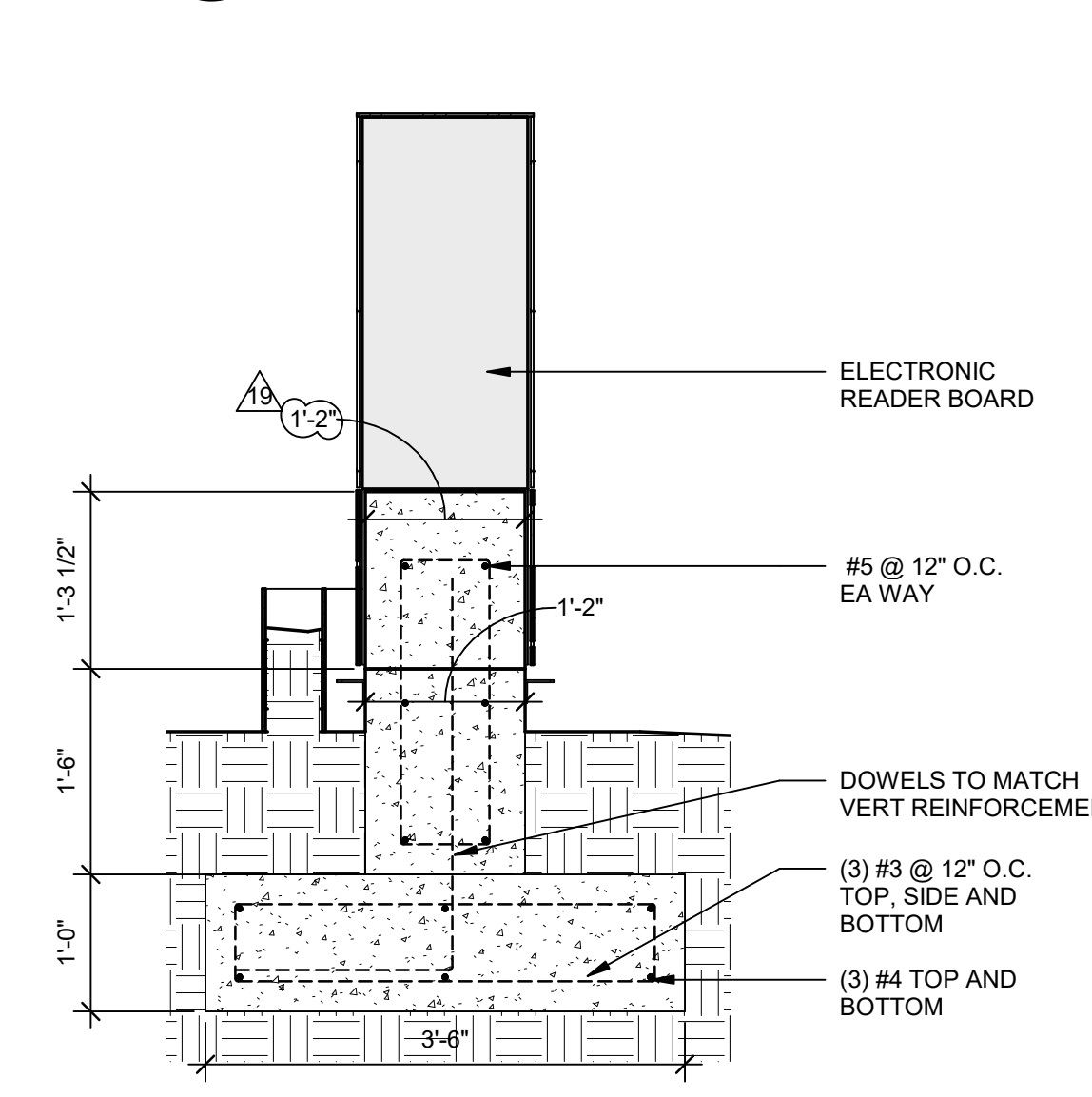
13 PANEL D  
Scale: 1 1/2" = 1'-0"



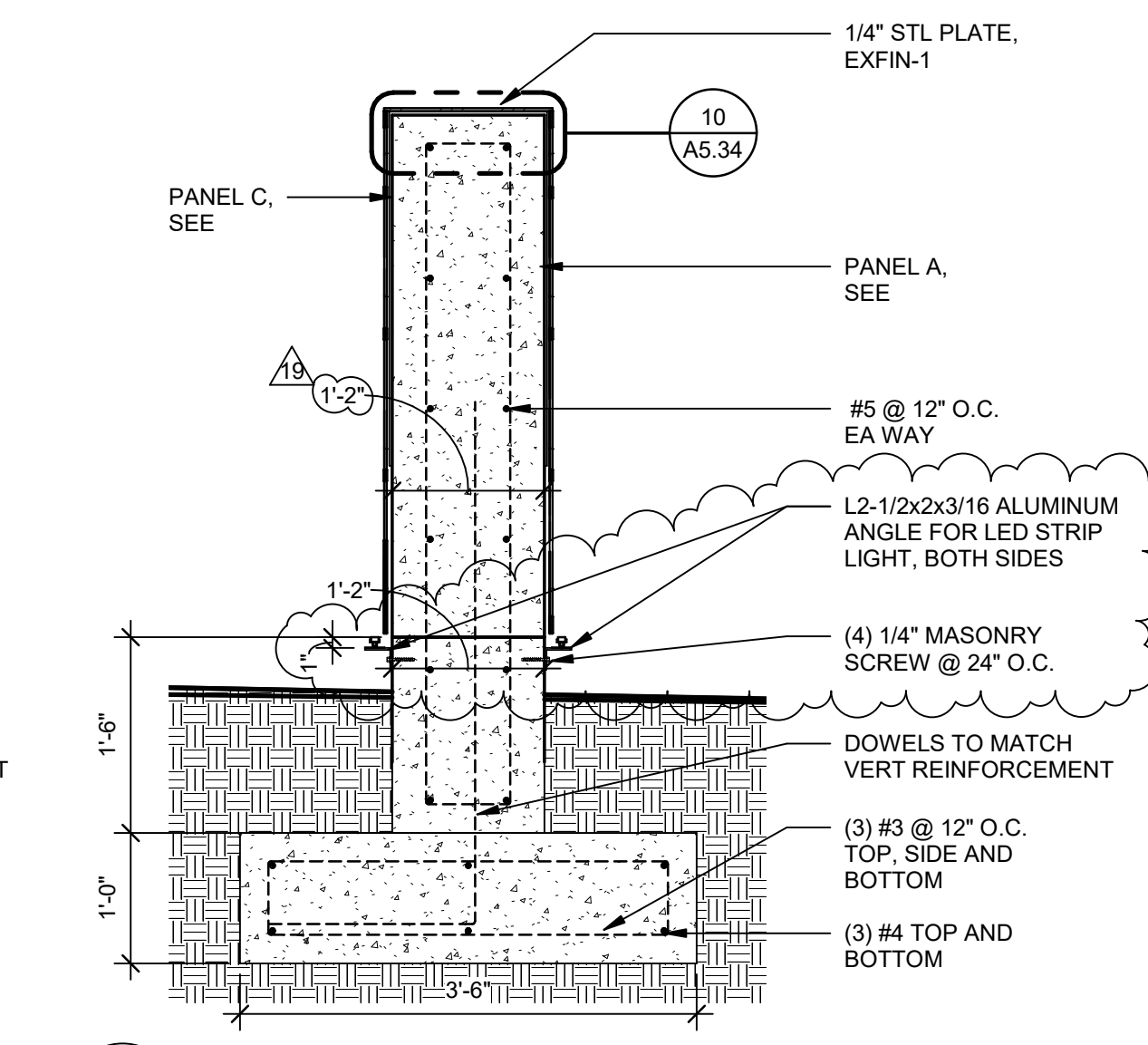
9 TOP PLATE @ HSS  
Scale: 3" = 1'-0"



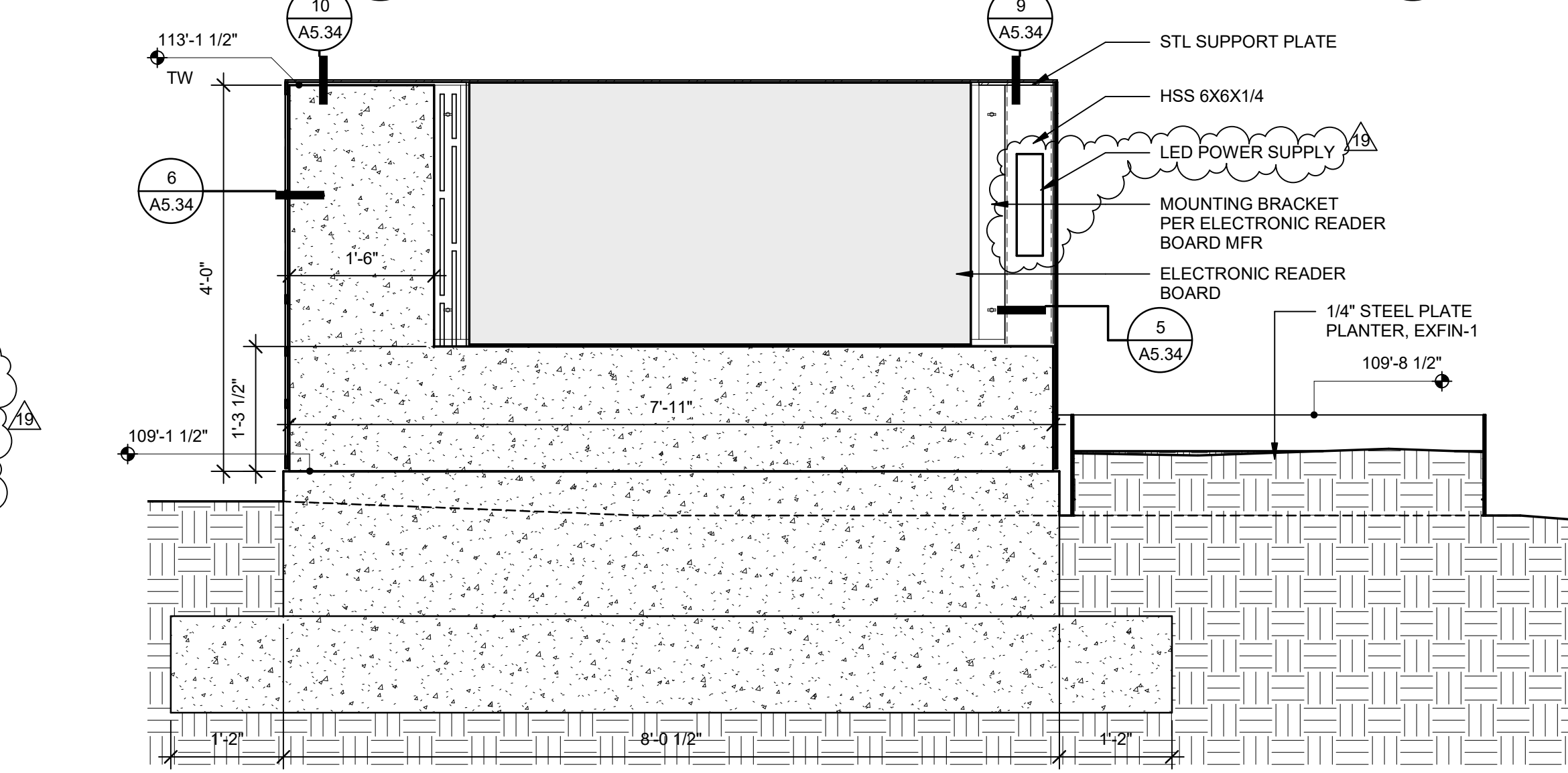
5 SOUTH END CONDITON  
Scale: 3" = 1'-0"



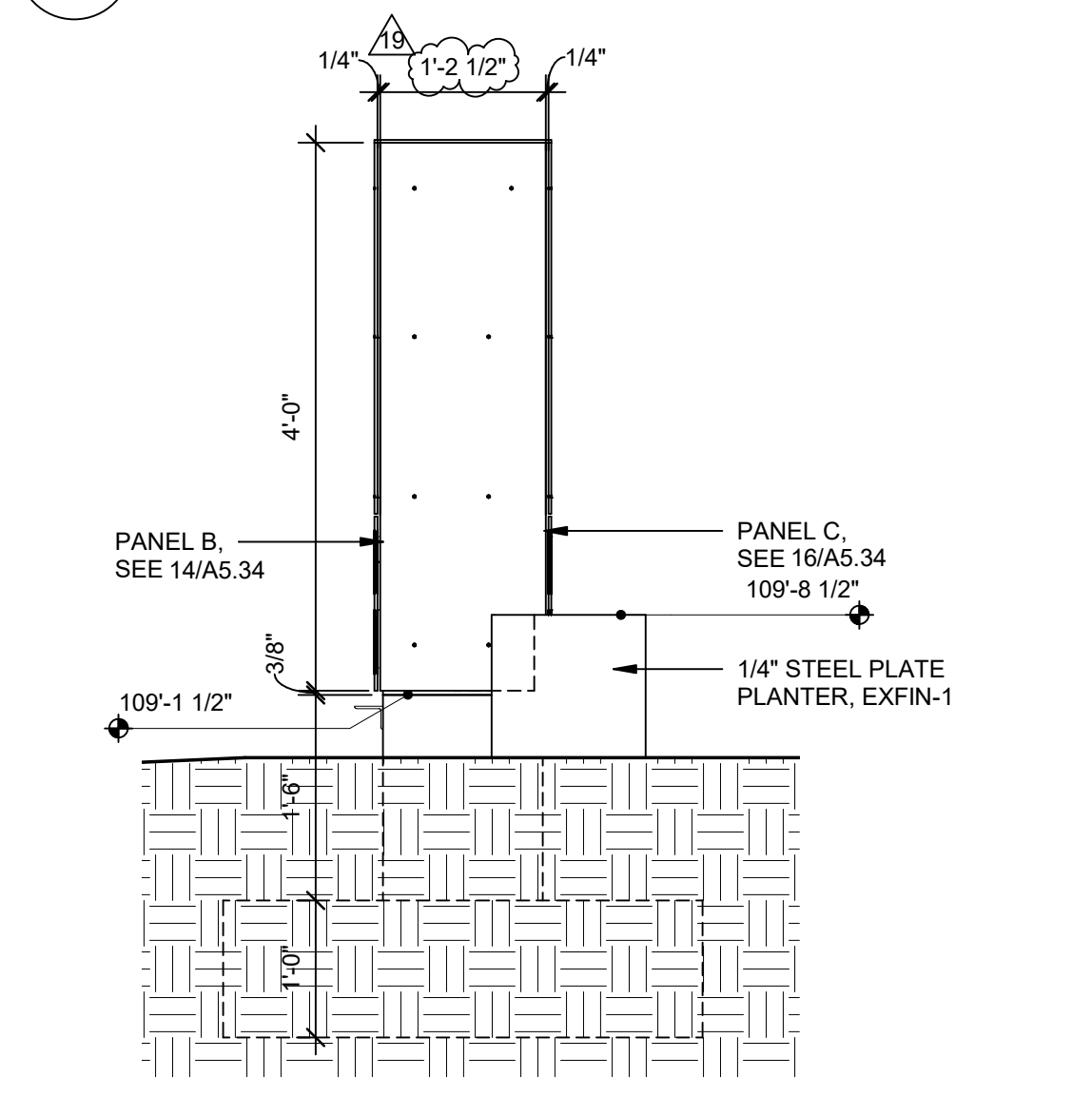
12 MONUMENT SIGN - SECTION 1  
Scale: 3/4" = 1'-0"



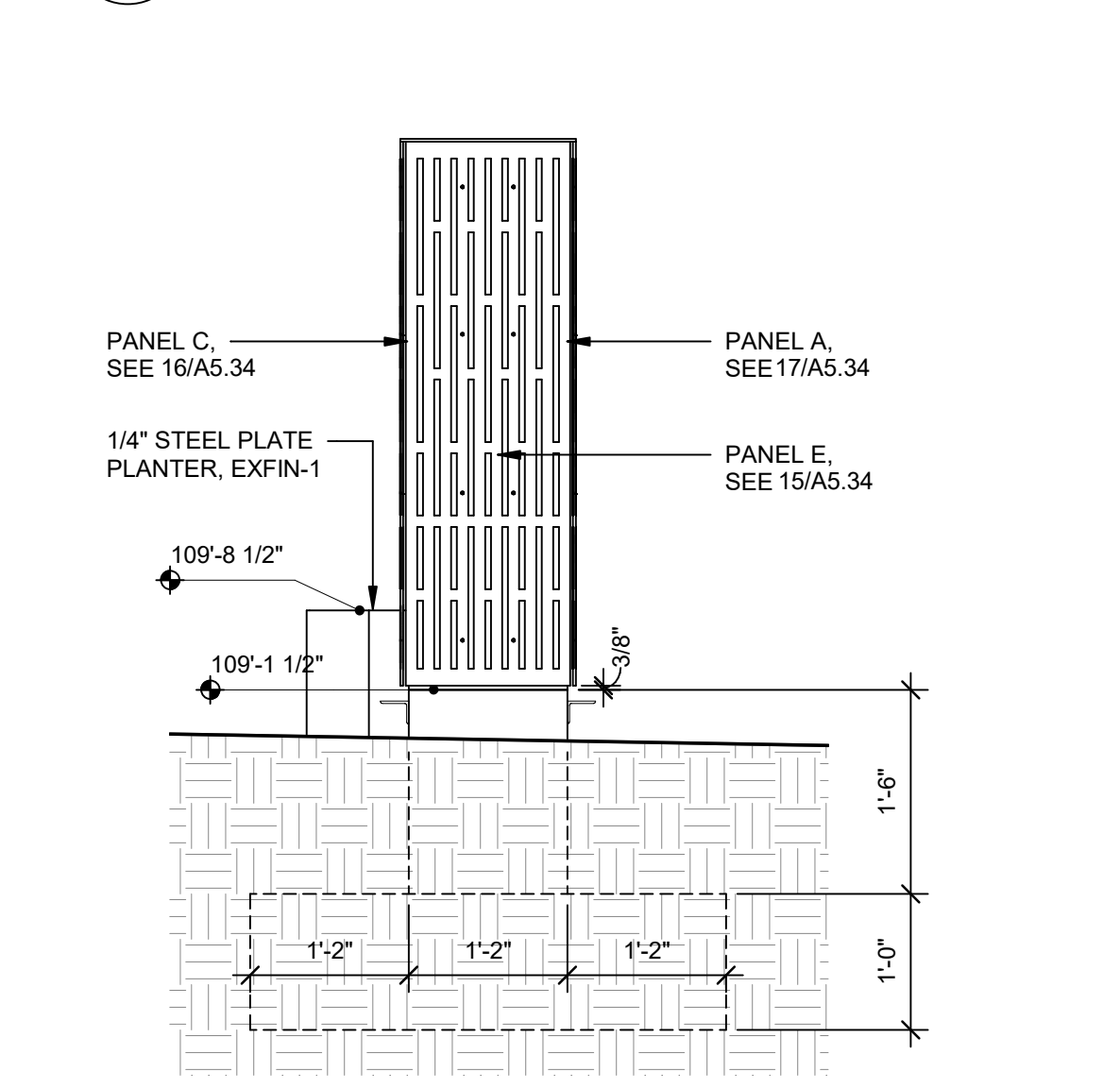
8 MONUMENT SIGN - SECTION 2  
Scale: 3/4" = 1'-0"



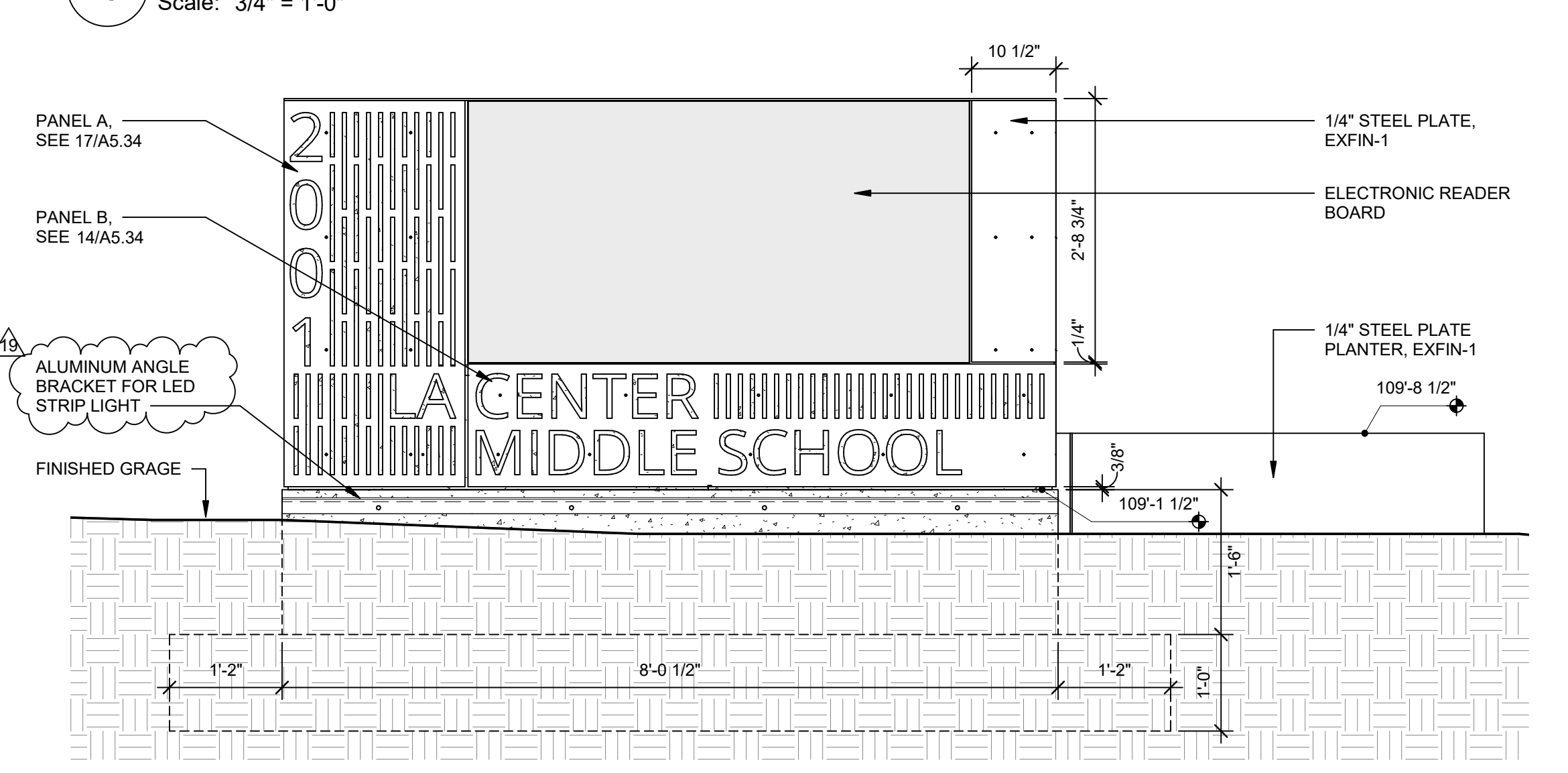
4 MONUMENT SIGN - SECTION 3  
Scale: 3/4" = 1'-0"



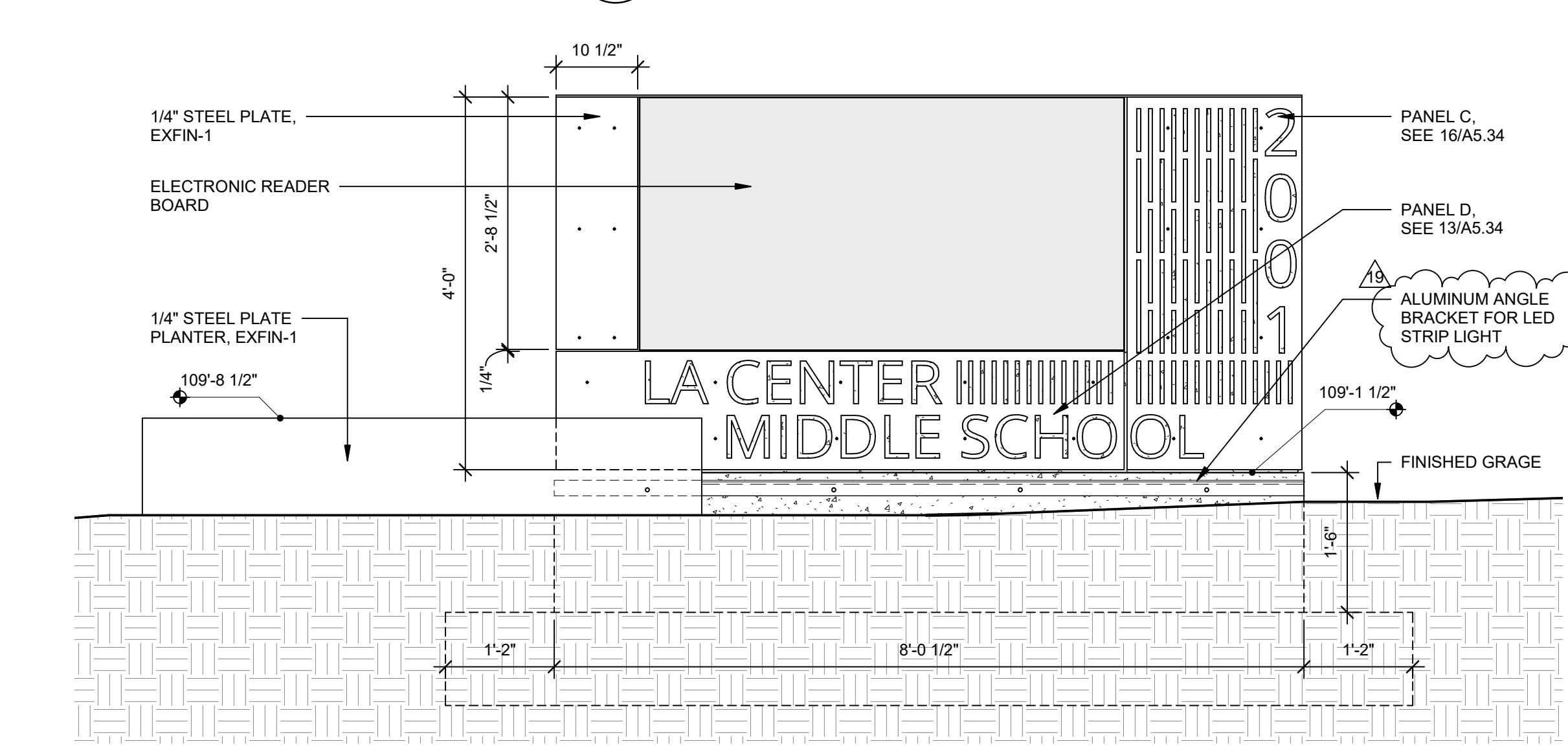
11 MONUMENT SIGN - SOUTH ELEVATION  
Scale: 3/4" = 1'-0"



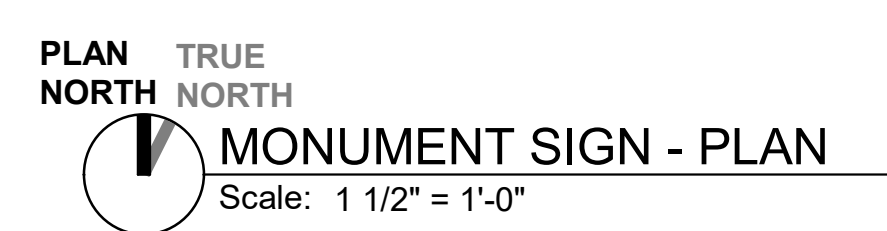
7 MONUMENT SIGN - NORTH ELEVATION  
Scale: 3/4" = 1'-0"



3 MONUMENT SIGN - WEST ELEVATION  
Scale: 3/4" = 1'-0"



1 MONUMENT SIGN - EAST ELEVATION  
Scale: 3/4" = 1'-0"



MONUMENT SIGN - PLAN  
Scale: 1 1/2" = 1'-0"